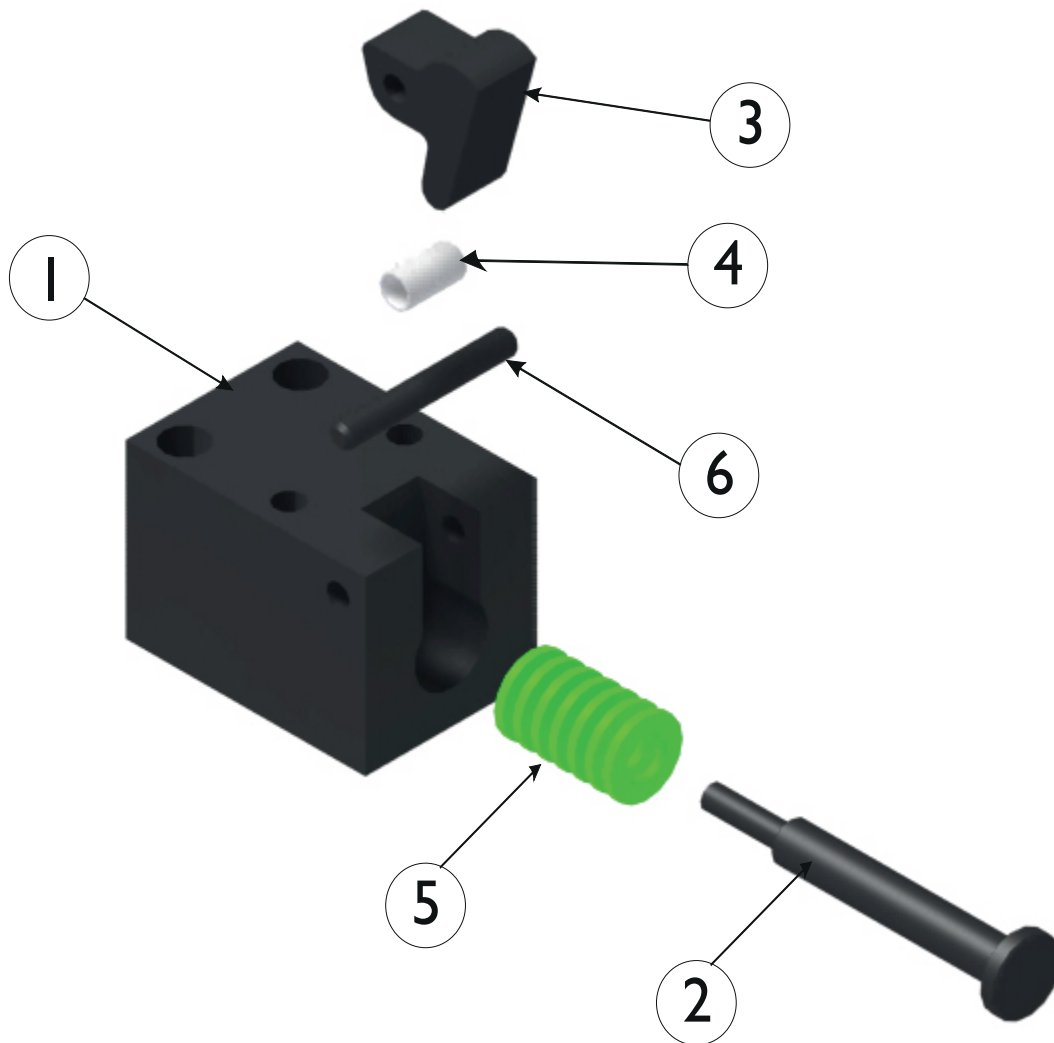


## CPUN Model spare parts

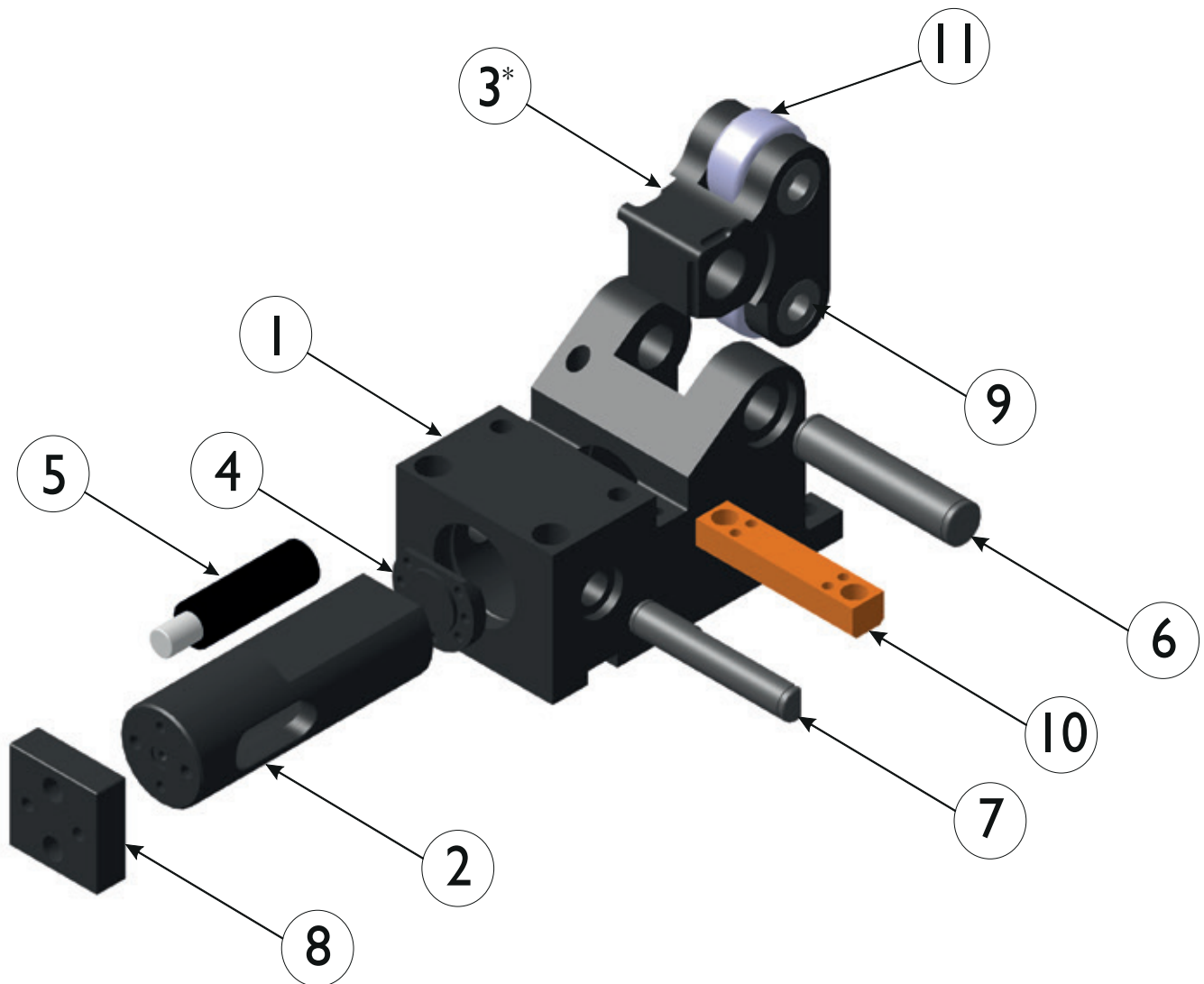


N°	Description	CPUN-00750-10
1	Body	NP-00750-10-1
2	Punch	NP-00750-10-2
3	Cam Assy	NP-00750-10-3
4	Cam Assy bush	NP-00750-10-4
5	Coil spring	NP-00750-10-5
6	Pivot bolt	NP-00750-10-6

Ordering example: 4 x NP-00750-10-4

For more information contact with Nitrogas engineering on [engineering@nitrogas.com](mailto:engineering@nitrogas.com)

## CPUN Model spare parts



N°	Description	CPUN-01500-12	CPUN-03500-20	CPUN-05000-25	CPUN-07000-38	CPUN-10000-50
1	Body	NP-01500-12-1	NP-03500-20-1	NP-05000-25-1	NP-07000-38-1	NP-10000-50-1
2	Rod	NP-01500-12-2	NP-03500-20-2	NP-05000-25-2	NP-07000-38-2	NP-10000-50-2
3.1*	Cam Assy	NP-01500-12-31	NP-03500-20-31	NP-05000-25-31	NP-07000-38-31	NP-10000-50-31
3.2*	Cam Assy (45°)	NP-01500-12-32	NP-03500-20-32	NP-05000-25-32	NP-07000-38-32	NP-10000-50-32
4	End cap	NP-01500-12-4	NP-03500-20-4	NP-05000-25-4	NP-07000-38-4	NP-10000-50-4
5	Gas spring	P-90-12	P-200-20	P-200-25	P-300-38	P-300-50
6	Pivot bolt	NP-01500-12-6	NP-03500-20-6	NP-05000-25-6	NP-07000-38-6	NP-10000-50-6
7	Gas Spring bolt	NP-01500-12-7	NP-03500-20-7	NP-05000-25-7	NP-07000-38-7	NP-10000-50-7
8	Adaptor plate	NP-01500-12-8	NP-03500-20-8	NP-05000-25-8	NP-07000-38-8	NP-10000-50-8
9	Roller pivot	NP-01500-12-9	NP-03500-20-9	NP-05000-25-9	NP-07000-38-9	NP-10000-50-9
10	Bronze plate	NP-01500-12-10	NP-03500-20-10	NP-05000-25-10	NP-07000-38-10	NP-10000-50-10
11	Roller	NP-01500-12-11	NP-03500-20-11	NP-05000-25-11	NP-07000-38-11	NP-10000-50-11

\* The cam assy is served with roller and roller pivots. If the roller and the roller pivot are not needed mark it in the order.

Ordering example: 4 x NP-03500-20-31  
4 x NP-03500-20-3

(includes cam assy, roller and roller pivots)  
(includes only cam assy)

For more information contact with Nitrogas engineering on [engineering@nitrogas.com](mailto:engineering@nitrogas.com)