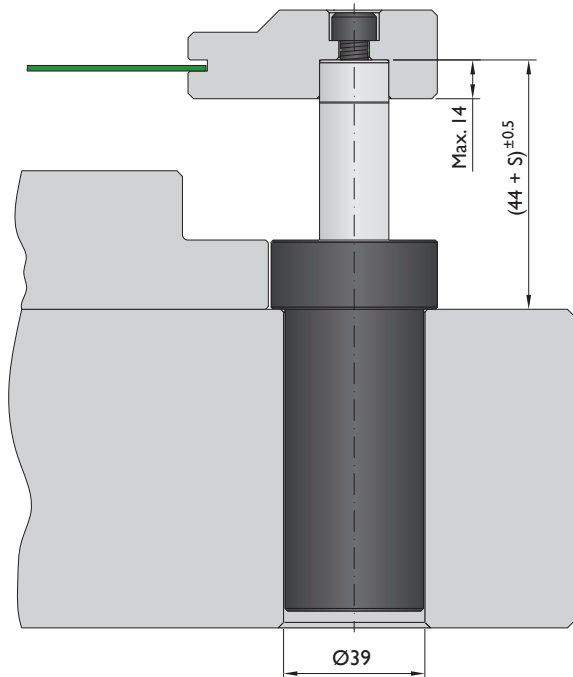


## Mounting example



Ordering example: 4 x CL-100-50

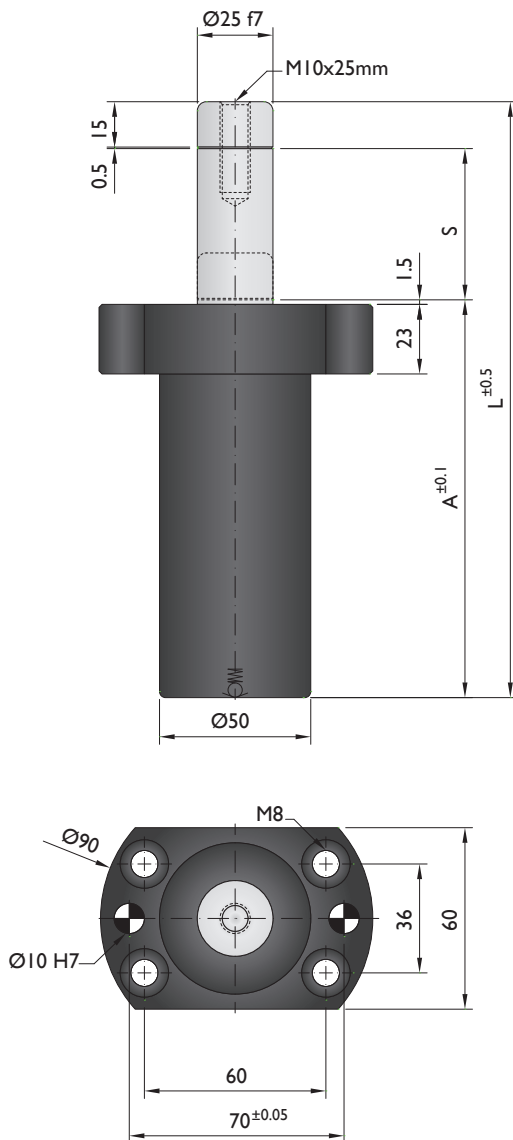
Order No.	S <sup>(1)</sup> mm	L mm	A mm	F <sub>0</sub> <sup>(2)</sup> daN (20°C, 40 bar)	F daN
CL-100-25	25	135	94.5		150
CL-100-50	50	185	119.5		160
CL-100-63	63	211	132.5	100	160
CL-100-80	80	245	149.5		170
CL-100-125	125	335	194.5		180

<sup>(1)</sup> other strokes under request

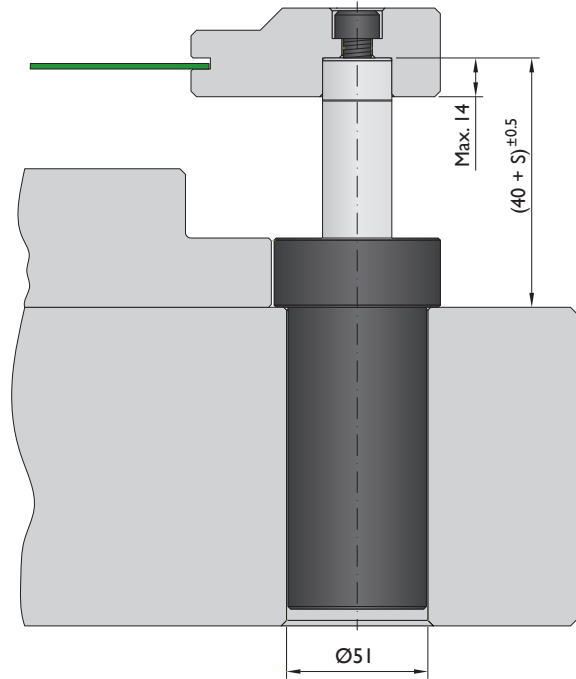
<sup>(2)</sup> alternative forces upon request



Pressure medium	N <sub>2</sub>	Working temperature	0-80°C	Min. security stroke	10%
Max. Charging pressure	40 bar	Temperatura related force increase	+0.34%/°C	Repair Kit	KIT CL-100
Min. Charging pressure	25 bar	Max. working speed	1.6 m/s	Linkable	No



## Mounting example



Ordering example: 4 x CL-200-50

Order No.	S <sup>(1)</sup> mm	L mm	A mm	F <sub>0</sub> <sup>(2)</sup> daN (20°C, 40 bar)	F daN
CL-200-25	25	147	106.5		320
CL-200-50	50	197	131.5		340
CL-200-63	63	223	144.5		340
CL-200-80	80	257	161.5	200	350
CL-200-125	125	347	206.5		360
CL-200-160	160	417	241.5		360

<sup>(1)</sup> other strokes under request

<sup>(2)</sup> alternative forces upon request



Pressure medium	N <sub>2</sub>	Working temperature	0-80°C	Min. security stroke	10%
Max. Charging pressure	40 bar	Temperatura related force increase	+0.34%/°C	Repair Kit	KIT CL-200
Min. Charging pressure	25 bar	Max. working speed	1.6 m/s	Linkable	No