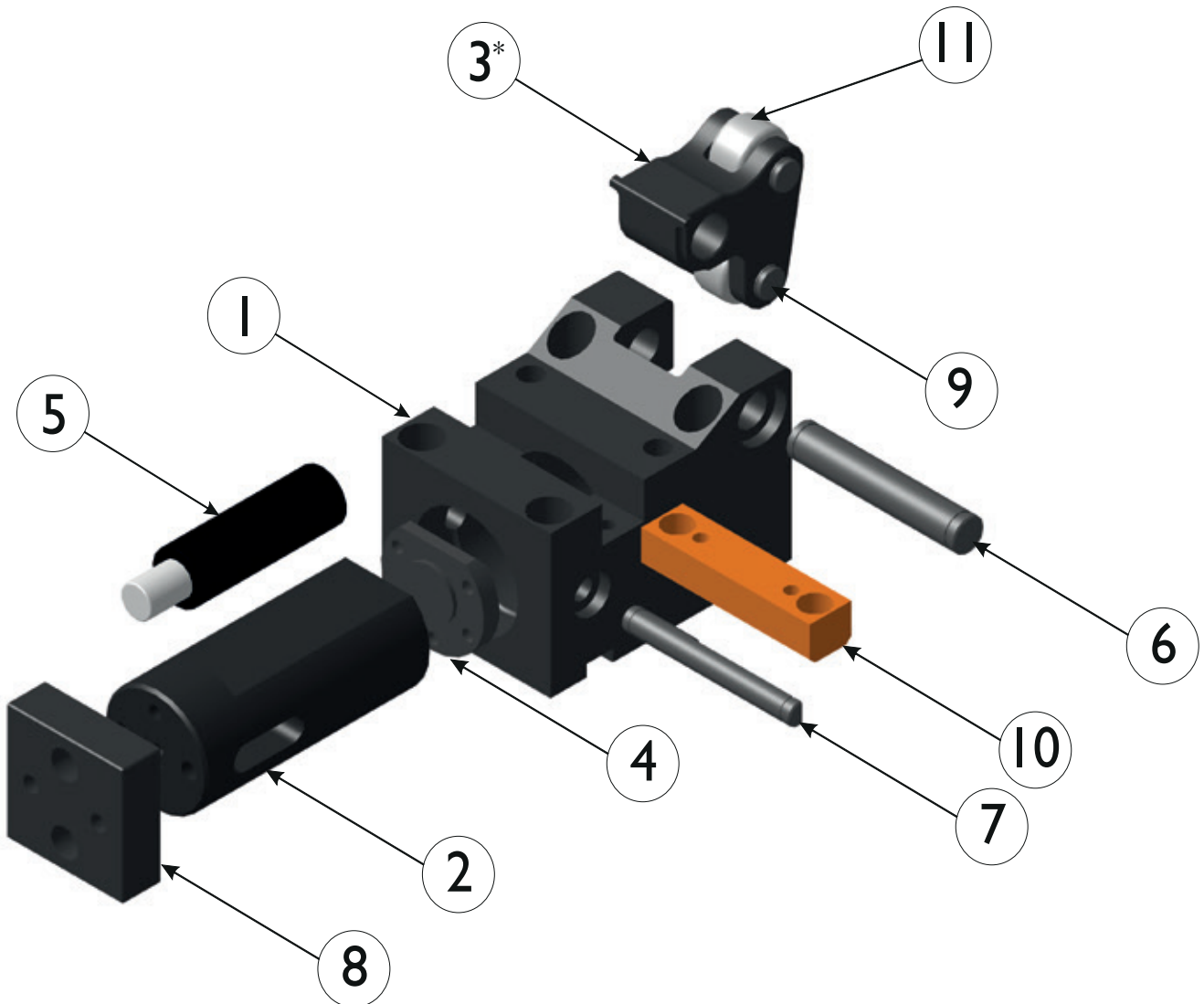


CPUS Model spare parts



N°	Description	CPUS-01500-15	CPUS-03000-20	CPUS-05000-30	CPUS-07000-40	CPUS-10000-50
1	Body	SP-01500-15-1	SP-03000-20-1	SP-05000-30-1	SP-07000-40-1	SP-10000-50-1
2	Rod	SP-01500-15-2	SP-03000-20-2	SP-05000-30-2	SP-07000-40-2	SP-10000-50-2
3.1*	Cam Assy	SP-01500-15-31	SP-03000-20-31	SP-05000-30-31	SP-07000-40-31	SP-10000-50-31
3.2*	Cam Assy (45°)	SP-01500-15-32	SP-03000-20-32	SP-05000-30-32	SP-07000-40-32	SP-10000-50-32
4	End cap	SP-01500-15-4	SP-03000-20-4	SP-05000-30-4	SP-07000-40-4	SP-10000-50-4
5	Gas spring	KP-150-19	R-200-25 YELLOW	KP-320-38	KP-350-50	KP-350-63
6	Pivot bolt	SP-01500-15-6	SP-03000-20-6	SP-05000-30-6	SP-07000-40-6	SP-10000-50-6
7	Gas Spring bolt	SP-01500-15-7	SP-03000-20-7	SP-05000-30-7	SP-07000-40-7	SP-10000-50-7
8	Adaptor plate	SP-01500-15-8	SP-03000-20-8	SP-05000-30-8	SP-07000-40-8	SP-10000-50-8
9	Roller pivot	SP-01500-15-9	SP-03000-20-9	SP-05000-30-9	SP-07000-40-9	SP-10000-50-9
10	Bronze plate	SP-01500-15-10	SP-03000-20-10	SP-05000-30-10	SP-07000-40-10	SP-10000-50-10
11	Roller	SP-01500-15-11	SP-03000-20-11	SP-05000-30-11	SP-07000-40-11	SP-10000-50-11

* The cam assy is served with roller and roller pivots. If the roller and the roller pivot are not needed mark it in the order.

Ordering example: 4 x SP-03000-20-31
4 x SP-03000-20-3

(includes cam assy, roller and roller pivots)
(includes only cam assy)

For more information contact with Nitrogas engineering on engineering@nitrogas.com