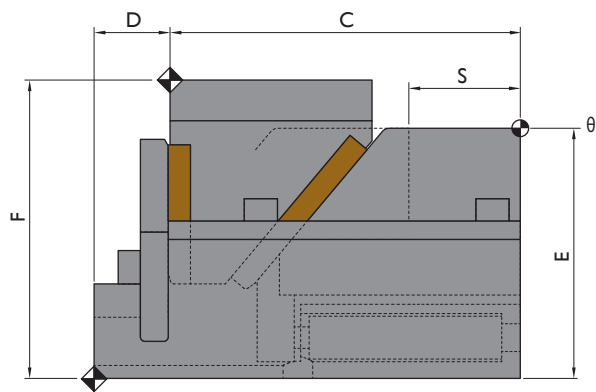
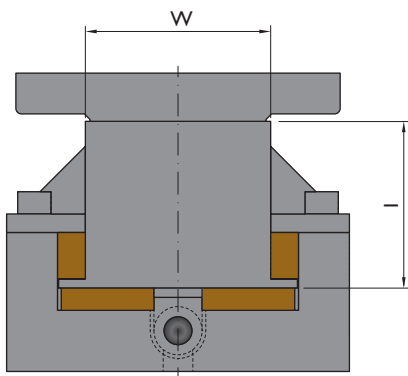
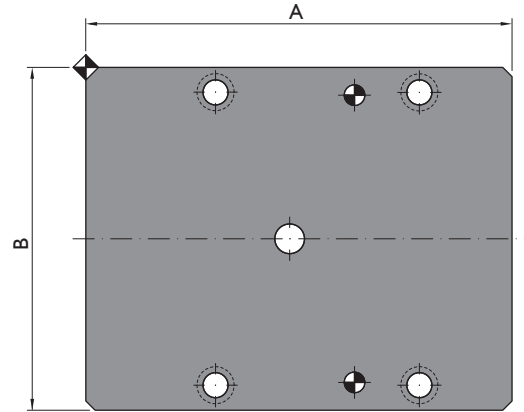
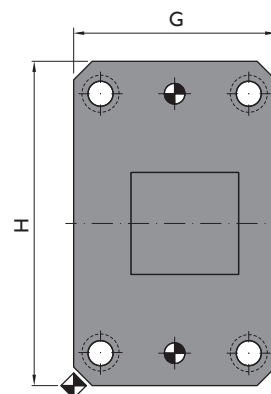
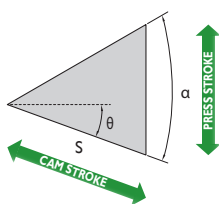


WEB



### CAM DIAGRAM



Ordering example: CDCV-F-W-θ-S  
CDCV-F-100-00-60

Order No.				Main Features			General Dimensions									
Model	W mm	$\theta$ °	S mm	Working Force tnf 300,000 strokes	Weight kg	Spring Force kgf	A mm	B mm	C mm	D mm	E mm	F mm	G mm	H mm	I mm	$\alpha$ °
CDCV-F	65	00	40	18	19	560	200	134	159	41	135	161	89	130	90	50
CDCV-F	65	00	60	18	21	560	230	134	189	41	135	161	109	130	90	50
CDCV-F	65	00	80	23	29	560	265	134	224	41	160	186	149	130	115	50
CDCV-F	65	00	100	27	38	560	305	134	264	41	180	207	169	130	135	50
CDCV-F	100	00	40	28	31	560	200	185	159	41	135	161	89	175	90	50
CDCV-F	100	00	60	28	36	560	230	185	189	41	135	161	109	175	90	50
CDCV-F	100	00	80	35	43	560	265	185	224	41	160	186	149	175	115	50
CDCV-F	100	00	100	41	56	560	305	185	264	41	180	207	169	175	135	50
CDCV-F	150	00	40	41	39	560	205	260	159	46	135	161	89	250	90	50
CDCV-F	150	00	60	41	43	560	235	260	189	46	135	161	109	250	90	50
CDCV-F	150	00	80	53	61	560	270	260	224	46	160	186	149	250	115	50
CDCV-F	150	00	100	62	78	560	310	260	264	46	180	207	169	250	135	50