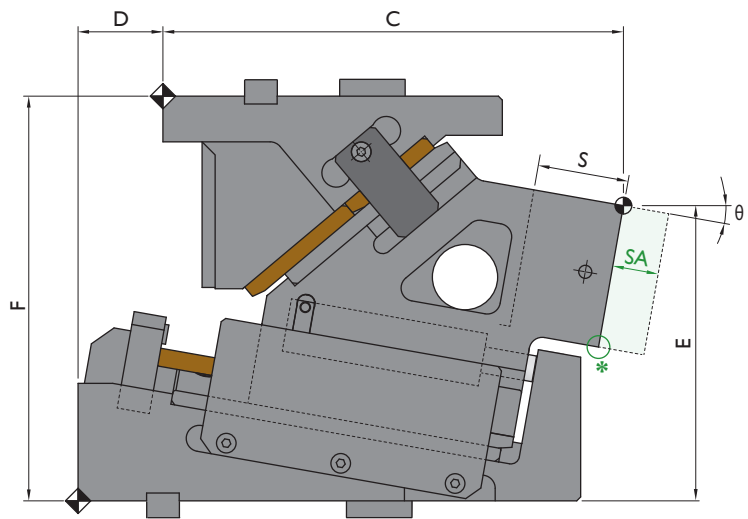
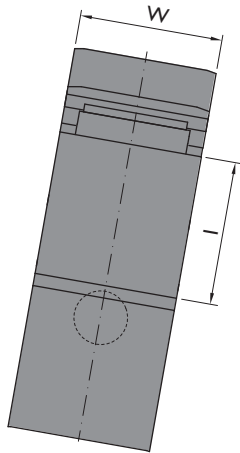
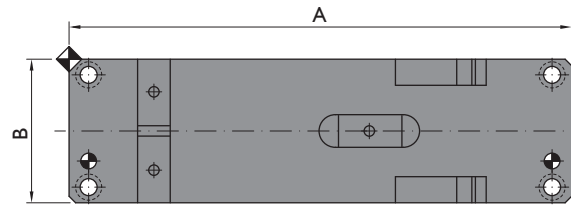


WEB

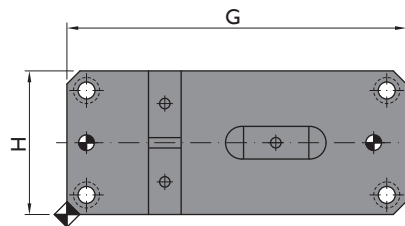
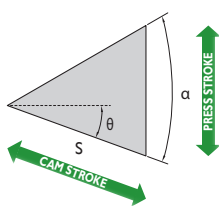


VDI



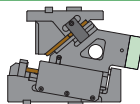
* CDCV-330 and CDCV-400

CAM DIAGRAM



Available Options

SA



Additional slider length available
1 - 40 mm
(1 mm steps)

CDCV	50	SA1 - SA2 - ... - SA40
CDCV	85	SA1 - SA2 - ... - SA40

Ordering example: CDCV-W-θ-S-SA
CDCV-150-05-70
CDCV-150-05-70-SA29

(Standard dimensions)
(Additional slider length (29 mm))

Order No.				Main Features			General Dimensions										
Model	W mm	θ °	S mm	Working Force tnf 300,000 strokes	Weight kg	Spring Force kgf	A mm	B mm	C mm	D mm	E mm	F mm	G mm	H mm	I mm	α °	
CDCV	50	00	55	3	19	560	300	50	260	40	191	250	190	50	75	50	
CDCV	50	05	55	3	19	560	300	50	260.76	50	180.73	250	190	50	75	50	
CDCV	50	10	55	3	19	560	300	50	263.12	55	169.8	250	190	50	75	50	
CDCV	50	15	55	3	20	560	300	50	260.02	65	162.25	250	190	50	75	50	
CDCV	50	20	55	3	20	560	300	50	261.41	70	155.12	250	190	50	75	50	
CDCV	85	00	70	6	45	710	340	85	325	15	235	290	235	80	85	50	
CDCV	85	05	70	6	45	710	340	85	324.32	30	225.4	290	235	80	85	50	
CDCV	85	10	70	6	45	710	340	85	318.2	45	215.01	290	235	80	85	50	
CDCV	85	15	70	6	46	710	340	85	316.68	55	204.86	290	235	80	85	50	
CDCV	85	20	70	6	47	710	340	85	309.39	70	195.01	290	235	80	85	50	
CDCV	110	00	70	12	70	1100	385	110	360	25	250	310	260	110	110	50	
CDCV	110	05	70	12	70	1100	385	110	361.59	40	235.56	310	260	110	110	50	
CDCV	110	10	70	12	71	1100	385	110	352.76	65	226.13	310	260	110	110	50	
CDCV	110	15	70	12	73	1100	385	110	353.41	75	215.75	310	260	110	110	50	
CDCV	110	20	70	12	75	1100	385	110	348.46	90	204.47	310	260	110	110	50	
CDCV	150	00	70	17	99	1400	390	150	355	35	250	310	260	150	110	50	
CDCV	150	05	70	17	100	1400	390	150	362.59	45	237.48	310	260	150	110	50	
CDCV	150	10	70	17	101	1400	390	150	358.74	65	224.96	310	260	150	110	50	
CDCV	150	15	70	17	103	1400	390	150	364.37	70	212.49	310	260	150	110	50	
CDCV	150	20	70	17	106	1400	390	150	364.4	80	200.13	310	260	150	110	50	
CDCV	220	00	70	25	139	2200	390	220	355	35	247	310	260	220	110	50	
CDCV	220	05	70	25	140	2200	390	220	356.59	50	234.56	310	260	220	110	50	
CDCV	220	10	70	25	141	2200	390	220	347.76	75	223.13	310	260	220	110	50	
CDCV	220	15	70	25	145	2200	390	220	348.41	85	211.75	310	260	220	110	50	
CDCV	220	20	70	25	150	2200	390	220	346.46	97	200.47	310	260	220	110	50	
CDCV	330	00	80	35	251	2800	400	330	335	65	326	380	260	330	180	50	
CDCV	330	05	80	35	251	2800	400	330	334.2	90	316.67	380	260	330	180	50	
CDCV	330	10	80	35	253	2800	400	330	337.94	105	305.68	380	260	330	180	50	
CDCV	330	15	80	35	253	2800	400	330	336.09	125	292.08	380	260	330	180	50	
CDCV	330	20	80	35	262	2800	400	330	333.52	145	282.93	380	260	330	180	50	
CDCV	400	00	80	44	345	2800	445	400	395	50	341	400	300	400	180	50	
CDCV	400	05	80	44	341	2800	445	400	394.2	75	325.67	400	300	400	180	50	
CDCV	400	10	80	44	348	2800	445	400	392.94	95	314.68	400	300	400	180	50	
CDCV	400	15	80	44	355	2800	445	400	391.09	110	302.08	400	300	400	180	50	
CDCV	400	20	80	44	366	2800	445	400	393.52	125	282.93	400	300	400	180	50	