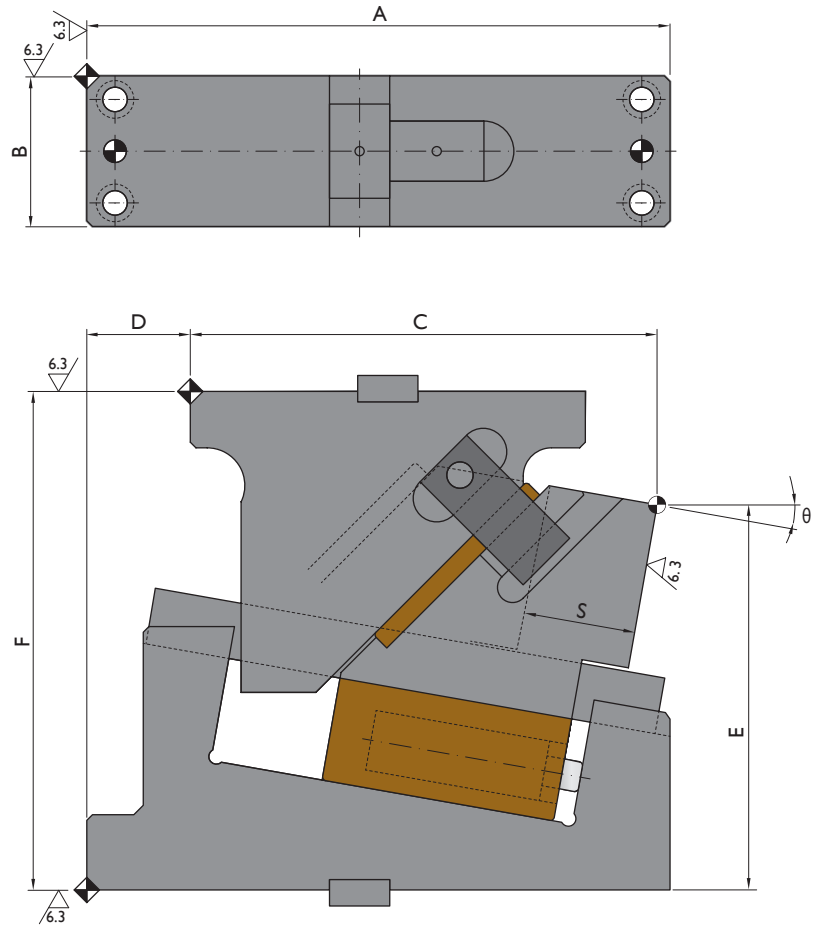
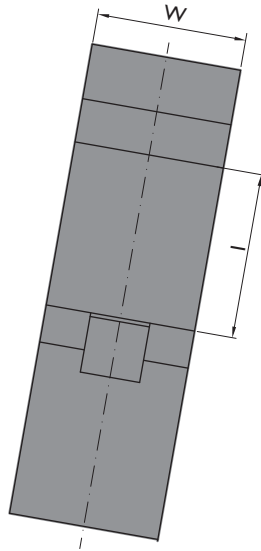


WEB

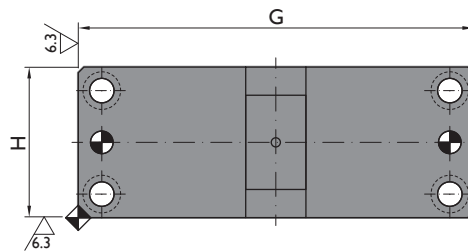
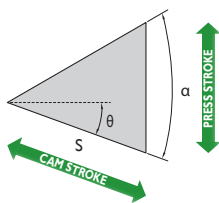


CAD

Structure for cams width 50 - 80 mm



CAM DIAGRAM



Available Options

P

Pin holes diameters available

		Standards	Options
CDCP	50	-	-
CDCP	80	Ø12 H7	P13 (Ø13 H7)

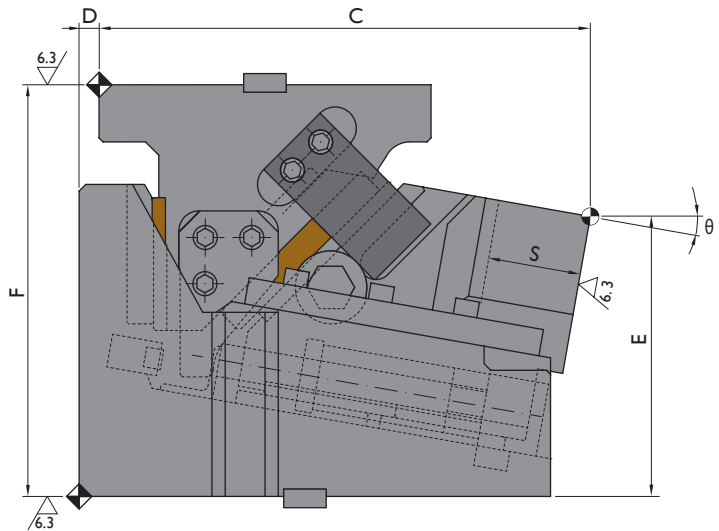
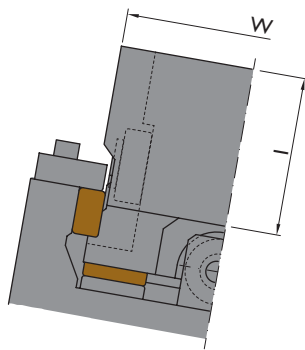
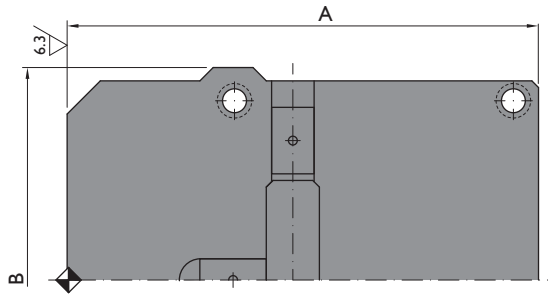
Ordering example: CDCP-W-θ-S-P
 CDCP-80-10-60
 CDCP-80-10-60-P13

(Standard dimensions)
 (Ø13 H7 holes)

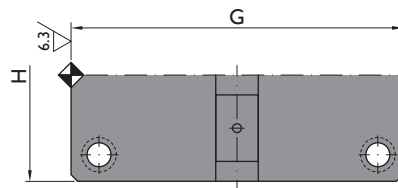
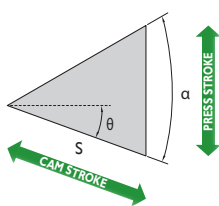
WEB

 CAD

Structure for cams width 150 - 300 mm

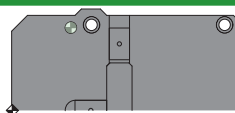


CAM DIAGRAM



Available Options

NP



Ø16 H7 pin holes available for the cam holder and cam driver.

CDCP	150	NP
CDCP	200	NP
CDCP	300	NP

Ordering example: CDCP-W-θ-S-NP
 CDCP-200-10-60
 CDCP-200-10-60-NP

(Standard dimensions)
 (Ø16 H7 additional pin holes drilled for the cam holder and the cam driver)

Order No.				Main Features			General Dimensions										
Model	W mm	θ °	S mm	Working Force tnf 300.000 strokes	Weight kg	Spring Force kgf	A mm	B mm	C mm	D mm	E mm	F mm	G mm	H mm	I mm	α °	
CDCP	50	00	60	1	17.3	280	255	50	230	10	165	240	170	50	68	55	
CDCP	50	05	60	1	18.1	280	290	50	236.25	45	162.76	240	180	50	68	55	
CDCP	50	10	60	1	18.5	280	290	50	237.27	50	159.55	240	180	50	68	55	
CDCP	50	15	60	1	19.2	280	295	50	242.97	55	155.39	240	185	50	68	55	
CDCP	50	20	60	1	19.8	280	295	50	238.26	70	150.32	240	185	50	68	55	
CDCP	50	25	60	1	20	280	295	50	238.07	70	144.37	240	185	50	68	55	
CDCP	50	30	60	1	20.4	280	295	50	232.32	80	137.58	240	185	50	68	55	
CDCP	80	00	60	4	33.2	540	310	80	235	50	210	265	210	80	88	55	
CDCP	80	05	60	4	33.5	540	310	80	238.32	55	208.03	265	210	80	88	55	
CDCP	80	10	60	4	34.4	540	310	80	248.17	55	204.74	265	210	80	88	55	
CDCP	80	15	60	4	35.1	540	310	80	252.6	60	200.15	265	210	80	88	55	
CDCP	80	20	60	4	35.6	540	310	80	251.51	70	194.32	265	210	80	88	55	
CDCP	80	25	60	4	36.3	540	310	80	249.78	80	187.26	265	210	80	88	55	
CDCP	80	30	60	4	36.7	540	310	80	247.31	85	179.05	265	210	80	88	55	
CDCP	150	00	60	12	130	1400	355	290	350	15	230	300	230	150	120	55	
CDCP	150	05	60	12	134	1400	365	290	363.47	15	218.45	300	240	150	120	55	
CDCP	150	10	60	12	137.4	1400	355	290	370.01	15	210.82	310	250	150	120	55	
CDCP	150	15	60	12	138	1400	350	290	379.53	15	202.26	310	265	150	120	55	
CDCP	150	20	60	12	146	1400	345	290	381.96	15	197.96	335	270	150	120	55	
CDCP	150	25	60	12	150	1400	340	290	382.25	15	188.11	345	285	150	120	55	
CDCP	150	30	60	12	161	1400	335	290	385.35	15	177.89	360	295	150	120	55	
CDCP	200	00	60	15	137	1400	355	320	350	15	230	300	230	160	120	55	
CDCP	200	05	60	15	142	1400	365	320	363.47	15	218.45	300	240	160	120	55	
CDCP	200	10	60	15	146	1400	355	320	370.01	15	210.82	310	250	160	120	55	
CDCP	200	15	60	15	152	1400	350	320	379.53	15	202.26	310	265	160	120	55	
CDCP	200	20	60	15	160	1400	345	320	381.96	15	197.96	335	270	160	120	55	
CDCP	200	25	60	15	165	1400	340	320	382.25	15	188.11	345	285	160	120	55	
CDCP	200	30	60	15	172	1400	335	320	385.35	15	177.89	360	295	160	120	55	
CDCP	300	00	60	30	243	2800	380	410	390	30	265	335	270	250	120	55	
CDCP	300	05	60	30	250	2800	375	410	401.84	30	260.69	335	280	250	120	55	
CDCP	300	10	60	30	261	2800	370	410	412.57	30	247.17	355	290	250	120	55	
CDCP	300	15	60	30	263	2800	365	410	419.63	30	238.91	355	300	250	120	55	
CDCP	300	20	60	30	275	2800	360	410	424.17	30	229.71	375	310	250	120	55	
CDCP	300	25	60	30	287	2800	355	410	431.14	30	214.79	385	330	250	120	55	
CDCP	300	30	60	30	303	2800	350	410	435.47	30	204.37	405	350	250	120	55	