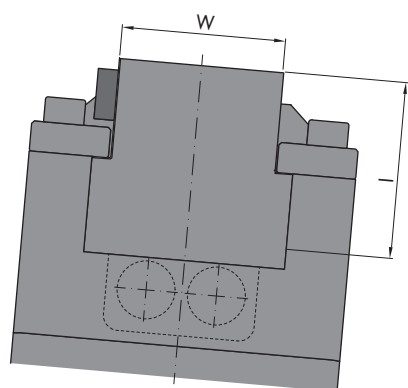
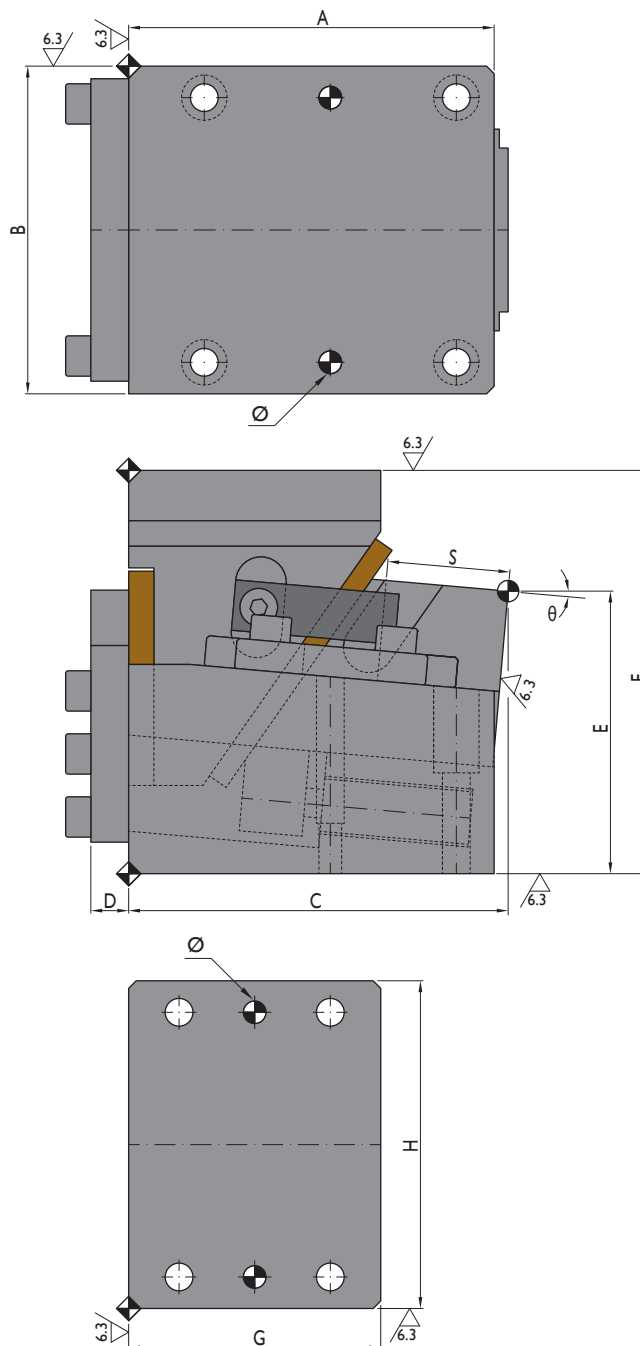


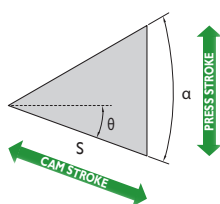
WEB



CAD



CAM DIAGRAM



Available Options

P

Pin holes diameters available

		Standards	Options
CDCA	52	Ø7	P8 (Ø8 H7)
CDCA	65	Ø9	P10 (Ø10 H7)
CDCA	100	Ø11	P12 (Ø12 H7) / P13 (Ø12 H7)
CDCA	150 - ... - 600	Ø15	P16 (Ø16 H7)

Ordering example: CDCA-W-θ-S-P
 CDCA-100-00-40
 CDCA-100-00-40-P12

(Standard dimensions)

(Ø12 H7 holes)

Order No.			Main Features				General Dimensions										
Model	W mm	θ °	S mm	Working Force tnf		Weight kg	Spring Force kgf	A mm	B mm	C mm	D mm	E mm	F mm	G mm	H mm	I mm	α °
				1.000.000 strokes	300.000 strokes												
CDCA	52	00	25	1	3	8	560	120	98	120	10	100	140	80	98	65	45
CDCA	52	00	40	1	3	8	560	135	98	135	10	100	140	90	98	65	45
CDCA	52	00	60	1	3	14	560	180	98	180	10	100	140	110	98	65	45
CDCA	65	00	40	2	4	20	560	145	130	140	15	115	160	100	130	70	45
CDCA	65	00	60	2	4	21	560	180	130	190	15	115	160	110	130	70	45
CDCA	65	05	45	2	4	19	560	145	130	150.55	15	112.1	160	100	130	70	60
CDCA	65	05	70	2	4	22.2	560	180	130	195.38	15	123.17	170	100	130	70	60
CDCA	65	10	45	2	4	19.6	560	145	130	154.95	15	108.76	160	100	130	70	60
CDCA	65	10	70	2	4	20.5	560	180	130	199.27	15	110.94	170	100	130	70	60
CDCA	65	15	45	2	4	22.3	560	145	130	158.18	15	105.09	170	100	130	70	60
CDCA	65	15	70	2	4	22.3	560	180	130	201.64	15	103.44	170	110	130	70	60
CDCA	65	20	45	2	4	22.3	560	145	130	160.2	15	101.19	170	100	130	70	60
CDCA	65	20	70	2	4	21.3	560	180	130	202.48	15	95.79	170	110	130	70	60
CDCA	100	00	40	3	6	37	1120	190	175	190	15	150	200	120	165	100	45
CDCA	100	00	60	3	6	38	1120	190	175	210	15	150	200	140	165	100	45
CDCA	100	00	80	3	6	44	1120	220	175	250	15	150	200	150	165	100	45
CDCA	100	05	45	4	8	33	1120	160	175	172.22	15	145.28	200	100	165	90	60
CDCA	100	05	70	4	8	38	1120	190	175	207.08	15	147.23	200	120	165	90	60
CDCA	100	10	45	4	8	33	1120	160	175	178.12	15	134.98	200	100	165	90	60
CDCA	100	10	70	4	8	38	1120	190	175	212.59	15	133.9	200	120	165	90	60
CDCA	100	15	45	4	8	33	1120	160	175	182.67	15	129.23	200	110	165	90	60
CDCA	100	15	70	4	8	38	1120	190	175	216.48	15	130.17	200	130	165	90	60
CDCA	100	20	45	4	8	32	1120	160	175	185.83	15	118.14	200	110	165	90	60
CDCA	100	20	70	4	8	39	1120	190	175	218.72	15	121.17	200	130	165	90	60
CDCA	150	00	40	6	9	63	1080	190	260	190	20	170	220	120	230	100	45
CDCA	150	00	60	6	9	69	1080	200	260	210	20	170	220	140	230	100	45
CDCA	150	05	45	7	10	62	1080	190	260	193.01	20	158.5	220	110	230	100	60
CDCA	150	05	70	7	10	73	1080	200	260	217.92	20	166.32	220	130	230	100	60
CDCA	150	10	45	7	10	63	1080	190	260	199.55	20	151.36	220	110	230	100	60
CDCA	150	10	70	7	10	73	1080	200	260	224.17	20	152.02	220	130	230	100	60
CDCA	150	15	45	7	10	65	1080	190	260	204.58	20	143.71	220	120	230	100	60
CDCA	150	15	70	7	10	77	1080	200	260	228.73	20	152.24	230	140	230	100	60
CDCA	150	20	45	7	10	66	1080	190	260	208.05	20	135.7	220	120	230	100	60
CDCA	150	20	70	7	10	75	1080	200	260	231.54	20	137.15	230	140	230	100	60
CDCA	200	00	40	8	12	82	1680	200	310	200	20	180	240	130	280	100	45
CDCA	200	00	60	8	12	84	1680	210	310	220	20	180	240	150	280	100	45
CDCA	250	00	40	10	15	106	1620	200	360	210	20	210	270	140	330	130	45
CDCA	250	00	60	10	15	127	1620	220	360	230	20	210	270	160	330	130	45
CDCA	300	00	40	12	18	106	1620	200	410	210	20	210	270	140	380	130	45
CDCA	300	00	60	12	18	128	1620	220	410	230	20	210	270	160	380	130	45
CDCA	400	00	60	14	21	203	2160	300	525	320	20	195	250	140	360	150	45
CDCA	500	00	60	14	21	237	2160	300	625	320	25	195	250	140	360	150	45
CDCA	600	00	60	14	21	279	2160	300	725	320	25	195	250	140	360	150	45