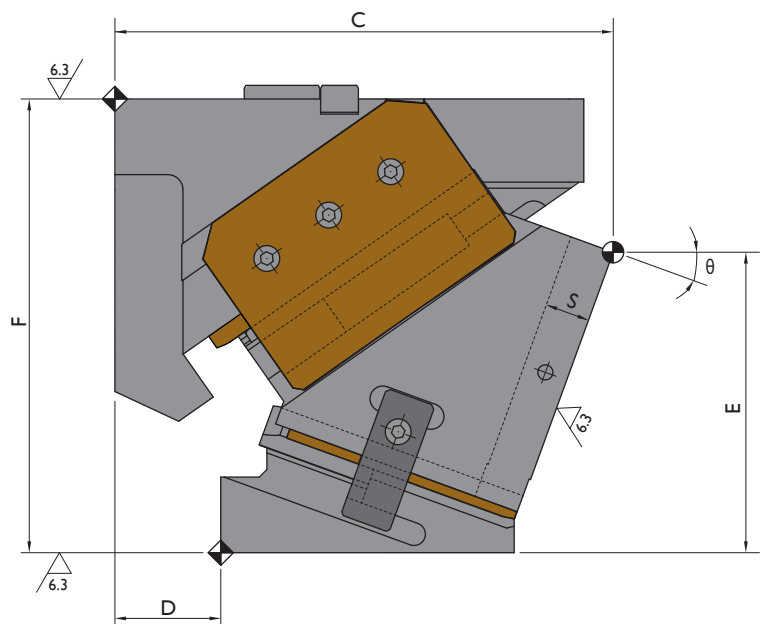
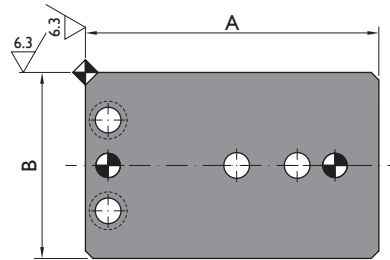
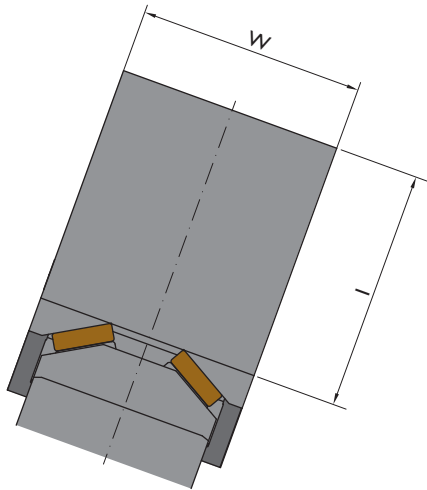


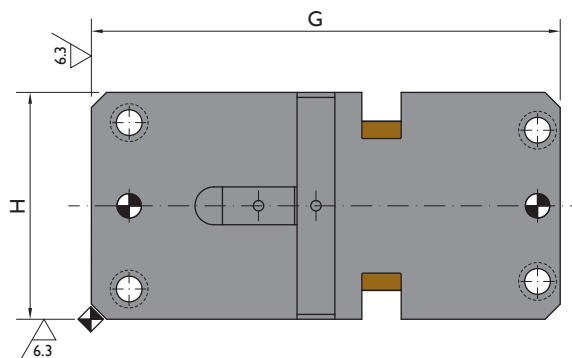
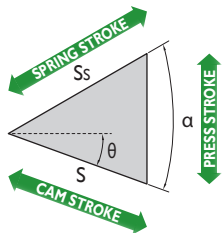
WEB



VDI



CAM DIAGRAM



Ordering example: CACV-F-W-θ
CACV-F-85-75

Order No.			Main Features				General Dimensions										
Model	W mm	θ °	S mm	Working Force tnf 300.000 strokes	Weight kg	Spring Force kgf	A mm	B mm	C mm	D mm	E mm	F mm	G mm	H mm	I mm	S _s mm	α °
CACV-F 60 00	60	00	19.3	14	13	280	155	60	175	25	155	210	205	60	100	30	50
CACV-F 60 05	60	05	21.3	14	13	280	150	60	179.26	25	152.63	210	205	60	100	30	50
CACV-F 60 10	60	10	21.5	14	13	280	145	60	183.3	25	149.9	210	205	60	100	30	55
CACV-F 60 15	60	15	23.8	14	13	280	140	60	189.68	25	146.49	210	205	60	100	30	55
CACV-F 60 20	60	20	24.5	14	13	280	140	60	190.59	25	133.43	210	205	60	100	30	60
CACV-F 60 25	60	25	27.1	14	13	280	125	60	193.79	25	129.75	210	205	60	100	30	60
CACV-F 60 30	60	30	30	14	13	280	125	60	196.65	25	125.8	210	205	60	100	30	60
CACV-F 60 35	60	35	31.7	14	13	280	115	60	199.16	25	121.62	210	205	60	100	30	65
CACV-F 60 40	60	40	35.5	14	13	280	110	60	198.08	10	113.4	210	220	60	100	30	65
CACV-F 60 45	60	45	38.5	14	14	280	105	60	225.96	40	105.61	210	235	60	100	30	70
CACV-F 60 50	60	50	43.9	14	14	280	105	60	211.71	10	96.56	210	220	60	100	30	70
CACV-F 60 55	60	55	49.2	14	14	280	105	60	212.11	10	92.46	210	220	60	100	30	75
CACV-F 60 60	60	60	58	14	14	280	92	60	203.48	10	83.35	210	220	60	100	30	75
CACV-F 60 65	60	65	68.6	14	15	280	85	60	202.75	10	80.02	210	220	60	100	30	80
CACV-F 60 70	60	70	70.6	14	14	280	85	60	205.54	10	63.61	210	220	60	100	25	85
CACV-F 60 75	60	75	76.1	14	15	280	80	60	204.77	10	58.79	210	235	60	100	25	85
CACV-F 85 00	85	00	30.9	29	27	560	175	60	238	55	165	225	255	85	120	48	50
CACV-F 85 05	85	05	34.1	29	26	560	170	60	243.28	55	160.82	225	255	85	120	48	50
CACV-F 85 10	85	10	34.5	29	26	560	160	60	247.73	55	151.25	225	255	85	120	48	55
CACV-F 85 15	85	15	38.1	29	25	560	155	60	252.64	55	146.23	225	255	85	120	48	55
CACV-F 85 20	85	20	41.8	29	25	560	155	60	259.24	55	145.49	225	255	85	120	48	55
CACV-F 85 25	85	25	43.4	29	27	560	155	60	262.37	40	134.92	225	285	85	120	48	60
CACV-F 85 30	85	30	48	29	26	560	155	60	272.11	40	137.29	225	285	85	120	48	60
CACV-F 85 35	85	35	50.8	29	25	560	155	60	277.45	40	130.13	225	285	85	120	48	65
CACV-F 85 40	85	40	56.8	29	25	560	155	60	282.59	40	122.51	225	285	85	120	48	65
CACV-F 85 45	85	45	42.3	29	25	560	150	60	245.41	0	107.38	225	265	85	120	33	70
CACV-F 85 50	85	50	48.2	29	24	560	135	60	247.12	0	97.62	225	265	85	120	33	70
CACV-F 85 55	85	55	54.1	29	25	560	135	60	263	0	98.26	225	265	85	120	33	75
CACV-F 85 60	85	60	63.8	29	24	560	135	60	267.02	0	88.89	225	265	85	120	33	75
CACV-F 85 65	85	65	75.4	29	25	560	126	60	257.06	0	77.85	225	265	85	120	33	80
CACV-F 85 70	85	70	95	29	26	560	109	60	248.86	5	64.19	225	275	85	120	33	80
CACV-F 85 75	85	75	95.1	29	26	560	109	60	251.61	5	43.93	225	275	85	120	25	85
CACV-F 110 00	110	00	30.9	41	49	560	210	87	278	60	205	275	290	110	160	48	50
CACV-F 110 05	110	05	34.1	41	49	560	205	87	285.45	60	200.72	275	290	110	160	48	50
CACV-F 110 10	110	10	34.5	41	48	560	195	87	292.94	60	195.79	275	290	110	160	48	55
CACV-F 110 15	110	15	38.1	41	48	560	190	87	300.41	60	190.21	275	290	110	160	48	55
CACV-F 110 20	110	20	41.8	41	47	560	185	87	307.8	60	183.98	275	290	110	160	48	55
CACV-F 110 25	110	25	43.4	41	45	560	178	87	302.93	50	172.58	275	300	110	160	48	60
CACV-F 110 30	110	30	48	41	47	560	172	87	309.61	50	165.28	275	300	110	160	48	60
CACV-F 110 35	110	35	50.8	41	47	560	167	87	316.06	50	157.42	275	300	110	160	48	65
CACV-F 110 40	110	40	56.8	41	45	560	163	87	322.23	50	149	275	300	110	160	48	65
CACV-F 110 45	110	45	61.5	41	45	560	183	87	311.62	10	143.59	275	295	110	160	48	70
CACV-F 110 50	110	50	48.2	41	46	560	172	87	309.74	10	127.4	275	295	110	160	33	70
CACV-F 110 55	110	55	54.1	41	45	560	157	87	302.27	10	109.24	275	295	110	160	33	75
CACV-F 110 60	110	60	63.8	41	46	560	155	87	305.96	10	100.39	275	295	110	160	33	75
CACV-F 110 65	110	65	75.4	41	45	560	137	87	285.71	0	79.89	275	295	110	160	33	80
CACV-F 110 70	110	70	95	41	47	560	135	87	288.18	0	66.67	275	295	110	160	33	80
CACV-F 110 75	110	75	95.1	41	45	560	134	87	290.36	0	63.24	275	310	110	160	25	85

Order No.			Main Features				General Dimensions										
Model	W mm	θ °	S mm	Working Force tnf 300,000 strokes	Weight kg	Spring Force kgf	A mm	B mm	C mm	D mm	E mm	F mm	G mm	H mm	I mm	Ss mm	α °
CACV-F 150 00	150	00	32.1	59	65	710	220	123	298	70	235	300	310	150	160	50	50
CACV-F 150 05	150	05	35.5	59	63	710	210	123	307.2	70	230.65	300	310	150	160	50	50
CACV-F 150 10	150	10	35.9	59	65	710	200	123	313.81	70	210.72	300	310	150	160	50	55
CACV-F 150 15	150	15	39.7	59	64	710	195	123	321.7	70	205.04	300	310	150	160	50	55
CACV-F 150 20	150	20	43.6	59	63	710	194	123	329.51	70	198.68	300	310	150	160	50	55
CACV-F 150 25	150	25	45.2	59	67	710	202	123	342.93	60	182.58	300	350	150	160	50	60
CACV-F 150 30	150	30	50	59	68	710	199	123	352.11	60	174.61	300	350	150	160	50	60
CACV-F 150 35	150	35	52.9	59	68	710	201	123	364.66	60	169.7	300	350	150	160	50	65
CACV-F 150 40	150	40	59.2	59	67	710	197	123	371.87	60	155.49	300	350	150	160	50	65
CACV-F 150 45	150	45	64.1	59	64	710	182	123	325.76	20	147.73	300	340	150	160	50	70
CACV-F 150 50	150	50	73.1	59	65	710	179	123	332.72	20	131.69	300	340	150	160	50	70
CACV-F 150 55	150	55	81.9	59	65	710	186	123	347.32	20	120.79	300	340	150	160	50	75
CACV-F 150 60	150	60	96.6	59	67	710	183	123	353.59	20	102.89	300	340	150	160	50	75
CACV-F 150 65	150	65	91.4	59	70	710	183	123	359.15	20	94.48	300	340	150	160	40	80
CACV-F 150 70	150	70	84.7	59	68	710	168	123	334.26	0	73.9	300	340	150	160	30	85
CACV-F 150 75	150	75	76.1	59	68	710	167	123	338.15	0	65.06	300	340	150	160	20	85
CACV-F 180 00	180	00	32.1	61	78	710	220	153	298	70	235	300	310	180	160	50	50
CACV-F 180 05	180	05	35.5	61	77	710	210	153	307.2	70	230.65	300	310	180	160	50	50
CACV-F 180 10	180	10	35.9	61	77	710	200	153	313.81	70	210.72	300	310	180	160	50	55
CACV-F 180 15	180	15	39.7	61	77	710	195	153	321.7	70	205.04	300	310	180	160	50	55
CACV-F 180 20	180	20	43.6	61	78	710	191	153	329.51	70	198.68	300	310	180	160	50	55
CACV-F 180 25	180	25	45.2	61	80	710	199	153	342.93	60	182.58	300	350	180	160	50	60
CACV-F 180 30	180	30	50	61	80	710	199	153	352.11	60	174.61	300	350	180	160	50	60
CACV-F 180 35	180	35	52.9	61	83	710	201	153	364.66	60	169.7	300	350	180	160	50	65
CACV-F 180 40	180	40	59.2	61	83	710	197	153	371.87	60	155.49	300	350	180	160	50	65
CACV-F 180 45	180	45	64.1	61	78	710	182	153	325.76	20	147.73	300	340	180	160	50	70
CACV-F 180 50	180	50	73.1	61	80	710	179	153	332.72	20	131.69	300	340	180	160	50	70
CACV-F 180 55	180	55	81.9	61	78	710	186	153	347.32	20	120.79	300	340	180	160	50	75
CACV-F 180 60	180	60	96.6	61	81	710	182	153	353.59	20	102.89	300	340	180	160	50	75
CACV-F 180 65	180	65	91.4	61	83	710	181	153	359.15	20	94.48	300	340	180	160	40	80
CACV-F 180 70	180	70	84.7	61	85	710	168	153	334.26	0	73.9	300	340	180	160	30	85
CACV-F 180 75	180	75	76.1	61	85	710	172	153	338.15	0	65.06	300	340	180	160	20	85
CACV-F 220 00	220	00	32.1	74	94	1100	215	188	308	80	240	300	320	220	160	50	50
CACV-F 220 05	220	05	35.5	74	94	1100	210	188	317.63	80	235.63	300	320	220	160	50	50
CACV-F 220 10	220	10	35.9	74	94	1100	200	188	323.81	80	210.72	300	320	220	160	50	55
CACV-F 220 15	220	15	39.7	74	94	1100	190	188	331.7	80	205.04	300	320	220	160	50	55
CACV-F 220 20	220	20	43.6	74	94	1100	185	188	337.8	80	193.98	300	320	220	160	50	55
CACV-F 220 25	220	25	45.2	74	95	1100	195	188	345.05	60	187.11	300	360	220	160	50	60
CACV-F 220 30	220	30	50	74	98	1100	190	188	357.11	60	183.27	300	360	220	160	50	60
CACV-F 220 35	220	35	52.9	74	99	1100	185	188	362.94	60	167.24	300	360	220	160	50	65
CACV-F 220 40	220	40	59.2	74	99	1100	180	188	373.16	60	157.02	300	360	220	160	50	65
CACV-F 220 45	220	45	64.1	74	99	1100	160	188	348.64	45	145.61	300	365	220	160	50	70
CACV-F 220 50	220	50	73.1	74	98	1100	160	188	355.42	45	129.76	300	365	220	160	50	70
CACV-F 220 55	220	55	81.9	74	99	1100	161	188	361.67	45	113.33	300	365	220	160	50	75
CACV-F 220 60	220	60	96.6	74	99	1100	159	188	371.66	45	98.89	300	365	220	160	50	75
CACV-F 220 65	220	65	91.4	74	99	1100	161	188	367.84	45	86.87	300	365	220	160	40	80
CACV-F 220 70	220	70	100.8	74	99	1100	163	188	372.05	45	79.45	300	365	220	160	35	80
CACV-F 220 75	220	75	95.1	74	100	1100	145	188	352.07	35	53.07	300	365	220	160	25	85

Order No.			Main Features				General Dimensions										
Model	W mm	θ °	S mm	Working Force tnf 300.000 strokes	Weight kg	Spring Force kgf	A mm	B mm	C mm	D mm	E mm	F mm	G mm	H mm	I mm	S _s mm	α °
CACV-F 260 00	260	00	32.1	78	110	2400	215	226	308	80	240	300	320	260	160	50	50
CACV-F 260 05	260	05	35.5	78	111	2400	210	226	317.63	80	235.63	300	320	260	160	50	50
CACV-F 260 10	260	10	35.9	78	112	2400	200	226	323.81	80	210.72	300	320	260	160	50	55
CACV-F 260 15	260	15	39.7	78	112	2400	190	226	331.7	80	205.04	300	320	260	160	50	55
CACV-F 260 20	260	20	43.6	78	112	2400	185	226	337.8	80	193.98	300	320	260	160	50	55
CACV-F 260 25	260	25	45.2	78	114	2400	195	226	345.05	60	187.11	300	360	260	160	50	60
CACV-F 260 30	260	30	50	78	115	2400	190	226	357.11	60	183.27	300	360	260	160	50	60
CACV-F 260 35	260	35	52.9	78	116	2400	185	226	362.94	60	167.24	300	360	260	160	50	65
CACV-F 260 40	260	40	59.2	78	115	2400	180	226	373.16	60	157.02	300	360	260	160	50	65
CACV-F 260 45	260	45	64.1	78	115	2400	160	226	348.64	45	145.61	300	365	260	160	50	70
CACV-F 260 50	260	50	73.1	78	115	2400	160	226	355.42	45	129.76	300	365	260	160	50	70
CACV-F 260 55	260	55	81.9	78	117	2400	170	226	361.67	45	113.33	300	365	260	160	50	75
CACV-F 260 60	260	60	96.6	78	117	2400	160	226	371.66	45	98.89	300	365	260	160	50	75
CACV-F 260 65	260	65	91.4	78	118	2400	166	226	367.84	45	86.87	300	365	260	160	40	80
CACV-F 260 70	260	70	100.8	78	119	2400	165	226	372.05	45	79.45	300	365	260	160	35	80
CACV-F 260 75	260	75	95.1	78	119	2400	150	226	352.07	35	53.07	300	365	260	160	25	85
CACV-F 330 00	330	00	37.3	104	224	4000	280	285	403	130	300	375	415	330	180	58	50
CACV-F 330 05	330	05	41.2	104	216	4000	268	285	410.89	130	280.7	375	415	330	180	58	50
CACV-F 330 10	330	10	41.6	104	214	4000	254	285	418.81	130	275.72	375	415	330	180	58	55
CACV-F 330 15	330	15	46	104	214	4000	255	285	426.7	130	270.04	375	415	330	180	58	55
CACV-F 330 20	330	20	50.6	104	209	4000	245	285	409.51	105	263.68	375	415	330	180	58	55
CACV-F 330 25	330	25	52.4	104	205	4000	259	285	417.16	80	256.64	375	415	330	180	58	60
CACV-F 330 30	330	30	58	104	204	4000	250	285	424.61	80	243.94	375	415	330	180	58	60
CACV-F 330 35	330	35	61.3	104	203	3900	237	285	427.78	80	224.87	375	415	330	180	58	65
CACV-F 330 40	330	40	68.6	104	203	3900	232	285	438.66	80	216.66	375	415	330	180	58	65
CACV-F 330 45	330	45	74.3	104	201	3900	225	285	395.15	30	202.12	375	450	330	180	58	70
CACV-F 330 50	330	50	84.8	104	201	3900	222	285	412.72	30	186.69	375	450	330	180	58	70
CACV-F 330 55	330	55	95	104	208	3900	226	285	423.22	30	162.92	375	450	330	180	58	75
CACV-F 330 60	330	60	112.1	104	211	3900	228	285	433.59	30	142.89	375	450	330	180	58	75
CACV-F 330 65	330	65	102.9	104	224	3800	242	330	434.62	0	132.36	375	450	330	180	45	80
CACV-F 330 70	330	70	127.1	104	228	3800	232	330	429.87	0	120.48	375	450	330	180	45	85
CACV-F 330 75	330	75	114.2	104	223	3800	221	330	418.49	0	112.47	375	450	330	180	30	85
CACV-F 400 00	400	00	37.3	107	269	4000	280	338	403	130	300	375	415	400	180	58	50
CACV-F 400 05	400	05	41.2	107	263	4000	280	338	410.89	130	280.7	375	415	400	180	58	50
CACV-F 400 10	400	10	41.6	107	263	4000	255	338	418.81	130	275.72	375	415	400	180	58	55
CACV-F 400 15	400	15	46	107	262	4000	255	338	426.7	130	270.04	375	415	400	180	58	55
CACV-F 400 20	400	20	50.6	107	254	4000	245	338	409.51	105	263.68	375	415	400	180	58	55
CACV-F 400 25	400	25	52.4	107	248	4000	260	338	417.16	80	256.64	375	415	400	180	58	60
CACV-F 400 30	400	30	58	107	249	4000	250	338	424.61	80	243.94	375	415	400	180	58	60
CACV-F 400 35	400	35	61.3	107	248	3900	237	338	427.78	80	224.87	375	415	400	180	58	65
CACV-F 400 40	400	40	68.6	107	250	3900	230	338	438.66	80	216.66	375	415	400	180	58	65
CACV-F 400 45	400	45	74.3	107	244	3900	225	338	395.15	30	202.12	375	450	400	180	58	70
CACV-F 400 50	400	50	84.8	107	252	3900	215	338	412.72	30	186.69	375	450	400	180	58	70
CACV-F 400 55	400	55	95	107	250	3900	226	338	423.22	30	162.92	375	450	400	180	58	75
CACV-F 400 60	400	60	112.1	107	256	3900	230	338	433.59	30	142.89	375	450	400	180	58	75
CACV-F 400 65	400	65	102.9	107	274	3800	242	400	434.62	0	132.36	375	450	400	180	45	80
CACV-F 400 70	400	70	127.1	107	273	3800	226	400	429.87	0	120.48	375	450	400	180	45	85
CACV-F 400 75	400	75	114.2	107	268	3800	214	400	418.49	0	112.47	375	450	400	180	30	85