

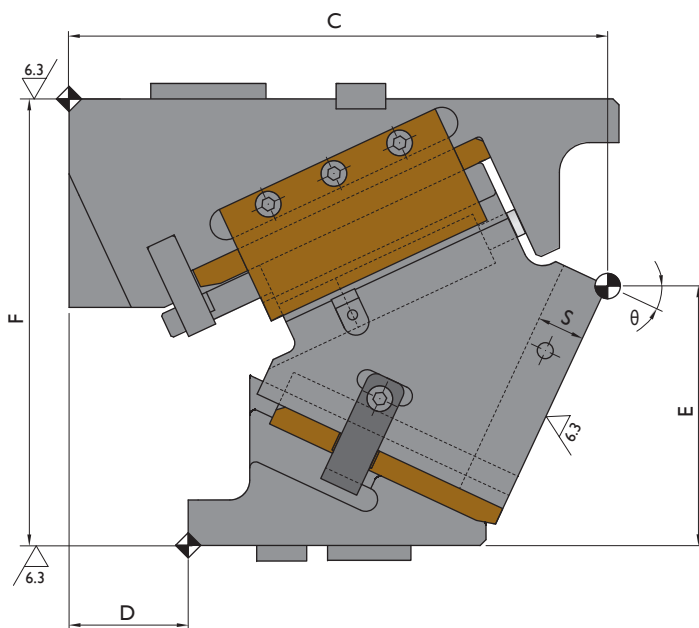
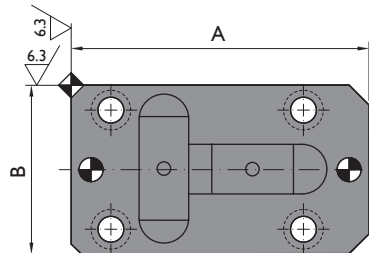
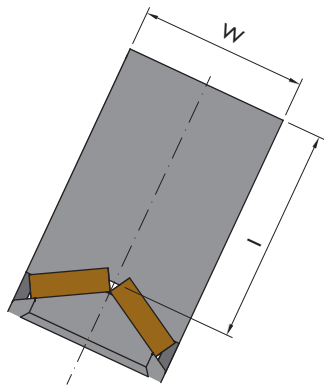
WEB



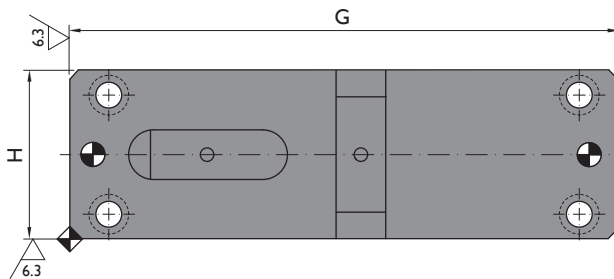
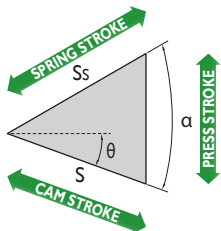
CAD



Structure for cams width 60 - 110 mm



CAM DIAGRAM



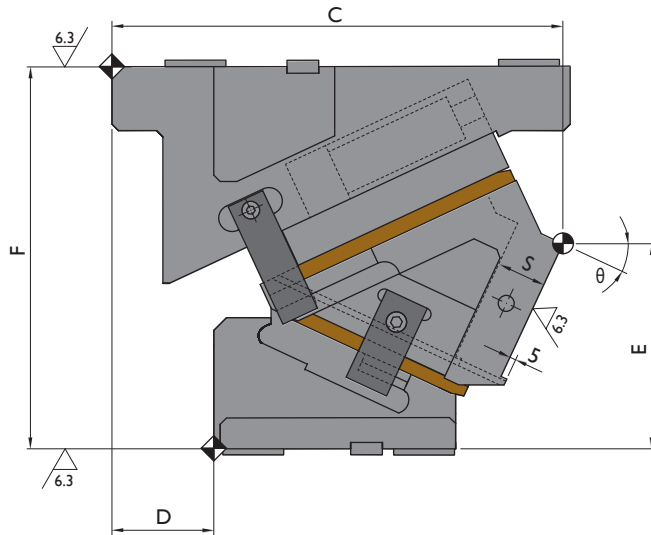
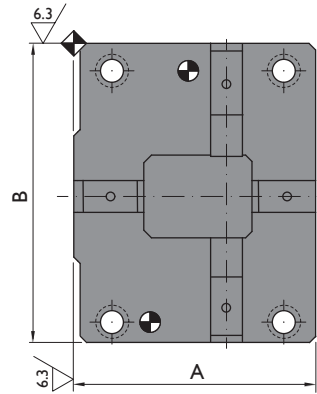
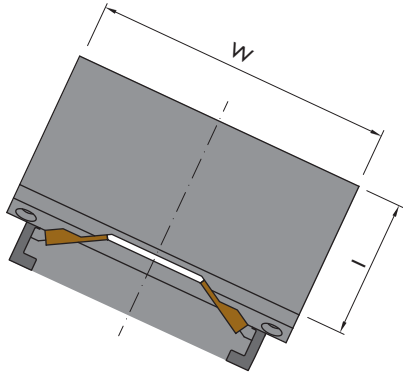
Ordering example: CACV-W-θ
CACV-85-60

WEB

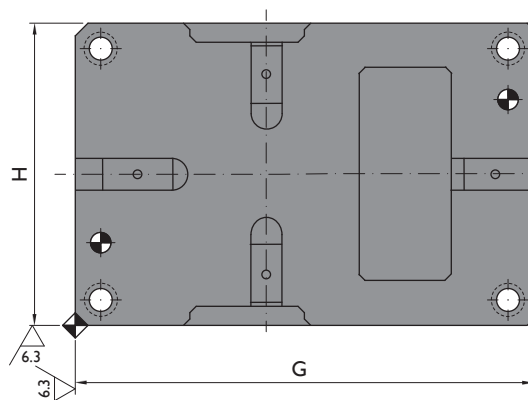
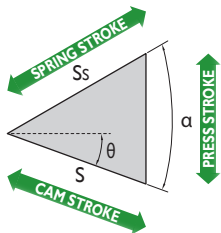


VDI

Structure for cams width 165 - 300 mm



CAM DIAGRAM



Ordering example: CACV-W-θ
CACV-400-65

Order No.			Main Features				General Dimensions										
Model	W mm	θ °	S mm	Working Force tnf 300.000 strokes	Weight kg	Spring Force kgf	A mm	B mm	C mm	D mm	E mm	F mm	G mm	H mm	I mm	Ss mm	α °
CACV	60	00	19.3	7	20.8	280	165	60	267	100	156	225	277	60	100	30	50
CACV	60	05	21.3	7	20.5	280	165	60	274.45	95	151.92	225	277	60	100	30	50
CACV	60	10	23.3	7	19.7	280	165	60	272.04	86	147.44	225	277	60	100	30	50
CACV	60	15	25.4	7	19.3	280	165	60	273.74	77	142.56	225	277	60	100	30	50
CACV	60	20	27.6	7	18.9	280	165	60	273.5	69	136.27	225	277	60	100	30	50
CACV	60	25	30	7	18.8	280	165	60	271.28	56	131.47	225	277	60	100	30	50
CACV	60	30	32.6	7	18.4	280	165	60	270.02	48	126.43	225	277	60	100	30	50
CACV	60	35	35.4	7	17.7	280	145	60	266.76	49	119.85	225	277	60	100	30	50
CACV	60	40	38.6	7	17.5	280	145	60	262.47	39	112.9	225	277	60	100	30	50
CACV	60	45	42.3	7	17.6	280	145	60	256.13	31	98.5	225	277	60	100	30	50
CACV	60	50	46.7	7	17.5	280	130	60	249.8	23	90.22	225	277	60	100	30	50
CACV	60	55	52.3	7	17.6	280	130	60	247.39	16	83.06	225	277	60	100	30	55
CACV	60	60	60	7	17.9	280	130	60	237.95	5	75.64	225	277	60	100	30	60
CACV	60	65	71	7	18.6	280	130	60	235	-5	61.32	225	277	60	100	30	65
CACV	60	70	58.5	7	18.8	280	130	60	230	-15	47.05	225	277	60	100	20	70
CACV	60	75	77.3	7	19.7	280	130	60	222	-25	37.27	225	277	60	100	20	75
CACV	85	00	19.3	10	28.2	560	150	85	267	115	162	225	277	85	110	30	50
CACV	85	05	21.3	10	27.5	560	150	85	272.39	110	157.84	225	277	85	110	30	50
CACV	85	10	23.3	10	26.6	560	150	85	275.07	101	153.23	225	277	85	110	30	50
CACV	85	15	25.4	10	26.3	560	150	85	277.99	92	145.28	225	277	85	110	30	50
CACV	85	20	27.6	10	26.1	560	150	85	273.08	69	136.57	225	277	85	110	30	50
CACV	85	25	30	10	26.1	560	150	85	271.3	60	130.85	225	277	85	110	30	50
CACV	85	30	32.6	10	25.3	560	150	85	269.61	52	124.74	225	277	85	110	30	50
CACV	85	35	35.4	10	24.4	560	150	85	265.99	47	121.54	225	277	85	110	30	50
CACV	85	40	38.6	10	24	560	140	85	262.39	37	114.47	225	277	85	110	30	50
CACV	85	45	42.3	10	24.7	560	140	85	256.82	23	107.03	225	277	85	110	30	50
CACV	85	50	46.7	10	24.7	560	130	85	249.24	20	91.52	225	277	85	110	30	50
CACV	85	55	52.3	10	24.6	560	130	85	250.67	19	84.21	225	277	85	110	30	55
CACV	85	60	60	10	25.4	560	130	85	240.1	4	75.65	225	277	85	110	30	60
CACV	85	65	71	10	25.7	560	130	85	235	-5	65.95	225	277	85	110	30	65
CACV	85	70	58.5	10	26.2	550	130	85	230	-15	56.12	225	277	85	110	20	70
CACV	85	75	77.3	10	28.3	550	130	85	228	-25	38.01	225	277	85	110	20	75
CACV	110	00	32.1	15	51.5	560	165	85	318	138	205	275	330	110	145	50	50
CACV	110	05	35.5	15	50.4	560	165	85	324.46	130	195.74	275	330	110	145	50	50
CACV	110	10	38.9	15	50.2	560	165	85	330.22	121	190.87	275	360	110	145	50	50
CACV	110	15	42.4	15	51.3	560	165	85	336.2	114	180.55	275	360	110	145	50	50
CACV	110	20	46.1	15	49.7	560	165	85	339.32	105	174.58	275	360	110	145	50	50
CACV	110	25	50	15	49	560	165	85	340.51	94	165.33	275	360	110	145	50	50
CACV	110	30	54.3	15	49.5	560	180	85	348.36	70	154.46	275	360	110	145	50	50
CACV	110	35	59	15	48.6	560	180	85	343.52	54	147.18	275	360	110	145	50	50
CACV	110	40	64.3	15	46.3	560	150	85	332.59	64	135.59	275	360	110	145	50	50
CACV	110	45	70.4	15	46.6	560	150	85	322.52	45	125.56	275	360	110	145	50	50
CACV	110	50	77.8	15	45.4	560	150	85	309.47	25	118.83	275	345	110	140	50	50
CACV	110	55	87.2	15	46.5	560	150	85	311.07	18	105.21	275	345	110	140	50	55
CACV	110	60	100	15	47.9	560	150	85	327.93	7	106.15	275	345	110	140	50	60
CACV	110	65	94.6	15	48.9	560	150	85	317.17	-10	90	275	345	110	140	40	65
CACV	110	70	81.9	15	50.8	550	150	85	313.12	-20	70	275	345	110	140	28	70
CACV	110	75	108.2	15	52.6	550	150	85	306.76	-30	50	275	345	110	140	28	75

Order No.			Main Features				General Dimensions										
Model	W mm	θ °	S mm	Working Force tnf 300,000 strokes	Weight kg	Spring Force kgf	A mm	B mm	C mm	D mm	E mm	F mm	G mm	H mm	I mm	Ss mm	α °
CACV	165	00	32.1	17	75.1	1100	190	165	360	150	205	300	360	165	115	50	50
CACV	165	05	35.5	17	72.9	1100	190	165	356.25	134	199.09	300	360	165	115	50	50
CACV	165	10	38.9	17	72.1	1100	190	165	359.27	118	188.91	300	360	165	115	50	50
CACV	165	15	42.4	17	71.6	1100	190	165	355.78	111	177.53	300	360	165	115	50	50
CACV	165	20	46.1	17	70.3	1100	190	165	355.68	93	170	300	360	165	115	50	50
CACV	165	25	50	17	69.8	1100	190	165	354.25	80	161.08	300	360	165	115	50	50
CACV	165	30	54.3	17	69	1100	190	165	357.28	70	151.72	300	360	165	115	50	50
CACV	165	35	59	17	69.4	1100	190	165	345.8	64	141.11	300	360	165	115	50	50
CACV	165	40	64.3	17	69.3	1100	190	165	344.27	58	129.62	300	360	165	115	50	50
CACV	165	45	70.4	17	70.3	1100	190	165	344.86	40	117.34	300	360	165	115	50	50
CACV	165	50	77.8	17	69.1	1100	190	165	327.27	10	104.37	300	360	165	115	50	50
CACV	165	55	61	17	68.1	1100	190	165	324.39	0	89.8	300	360	165	115	35	55
CACV	165	60	40	17	68.3	1100	190	165	317.59	-7	84.37	300	360	165	115	20	60
CACV	165	65	47.3	17	70	1100	190	165	314.23	-15	68.6	300	360	165	115	20	65
CACV	165	70	58.5	17	71.7	1100	190	165	308.07	-25	54.33	300	360	165	115	20	70
CACV	165	75	58	17	73.5	1100	190	165	301.08	-35	39.76	300	360	165	115	15	75
CACV	200	00	32.1	22	91.6	1100	190	200	360	150	205	300	360	200	115	50	50
CACV	200	05	35.5	22	88.9	1100	190	200	356.25	134	199.09	300	360	200	115	50	50
CACV	200	10	38.9	22	88	1100	190	200	359.27	118	188.91	300	360	200	115	50	50
CACV	200	15	42.4	22	87	1100	190	200	355.78	111	177.53	300	360	200	115	50	50
CACV	200	20	46.1	22	85.5	1100	190	200	355.68	93	170	300	360	200	115	50	50
CACV	200	25	50	22	85.9	1100	190	200	354.88	80	161.38	300	360	200	115	50	50
CACV	200	30	54.3	22	85	1100	190	200	357.28	70	151.72	300	360	200	115	50	50
CACV	200	35	59	22	84.8	1100	190	200	345.8	64	141.11	300	360	200	115	50	50
CACV	200	40	64.3	22	85.8	1100	190	200	344.27	58	129.62	300	360	200	115	50	50
CACV	200	45	70.4	22	85.7	1100	190	200	344.86	40	117.34	300	360	200	115	50	50
CACV	200	50	77.8	22	84.7	1100	190	200	327.27	10	104.37	300	360	200	115	50	50
CACV	200	55	52.3	22	85.7	1100	190	200	324.39	0	89.8	300	360	200	115	30	55
CACV	200	60	60	22	84.2	1100	190	200	317.59	-7	84.37	300	360	200	115	30	60
CACV	200	65	71	22	86.7	1100	190	200	319.23	-15	68.6	300	360	200	115	30	65
CACV	200	70	58.5	22	88.8	1100	190	200	313.07	-25	54.33	300	360	200	115	20	70
CACV	200	75	77.3	22	91.1	1100	190	200	306.08	-35	39.76	300	360	200	115	20	75
CACV	250	00	32.1	29	113	2200	190	250	360	150	205	300	360	250	115	50	50
CACV	250	05	35.5	29	110.5	2200	190	250	356.43	134	201.08	300	360	250	115	50	50
CACV	250	10	38.9	29	109.6	2200	190	250	359.62	118	190.88	300	360	250	115	50	50
CACV	250	15	42.4	29	108.4	2200	190	250	356.3	111	179.47	300	360	250	115	50	50
CACV	250	20	46.1	29	107.1	2200	190	250	356.37	93	171.88	300	360	250	115	50	50
CACV	250	25	50	29	106	2200	190	250	355.73	80	163.19	300	360	250	115	50	50
CACV	250	30	54.3	29	105.8	2200	190	250	358.28	70	153.45	300	360	250	115	50	50
CACV	250	35	59	29	107	2200	190	250	346.94	64	142.75	300	360	250	115	50	50
CACV	250	40	64.3	29	108.2	2200	190	250	345.56	58	131.15	300	360	250	115	50	50
CACV	250	45	70.4	29	108.5	2200	190	250	346.27	40	118.76	300	360	250	115	50	50
CACV	250	50	77.8	29	107.4	2200	190	250	328.8	10	105.66	300	360	250	115	50	50
CACV	250	55	52.3	29	106.3	2200	190	250	326.84	0	91.52	300	360	250	115	30	55
CACV	250	60	60	29	106.4	2200	190	250	320.19	-7	85.87	300	360	250	115	30	60
CACV	250	65	71	29	109.4	2200	190	250	319.23	-15	68.6	300	360	250	115	30	65
CACV	250	70	58.5	29	112.5	2200	190	250	313.07	-25	54.33	300	360	250	115	20	70
CACV	250	75	77.3	29	115.5	2200	190	250	306.08	-35	39.76	300	360	250	115	20	75

Order No.			Main Features				General Dimensions										
Model	W mm	θ °	S mm	Working Force tnf 300,000 strokes	Weight kg	Spring Force kgf	A mm	B mm	C mm	D mm	E mm	F mm	G mm	H mm	I mm	Ss mm	α °
CACV 300 00	300	00	38.6	37	167.1	2200	230	250	395	163	277	375	390	300	155	60	50
CACV 300 05	300	05	42.6	37	163.8	2200	230	250	387.15	155	270.81	375	390	300	155	60	50
CACV 300 10	300	10	46.7	37	161.9	2200	230	250	394.13	145	263.14	375	390	300	155	60	50
CACV 300 15	300	15	50.9	37	160.1	2200	230	250	395.82	135	253.99	375	390	300	155	60	50
CACV 300 20	300	20	55.3	37	157.9	2200	230	250	397.08	120	243.41	375	390	300	155	60	50
CACV 300 25	300	25	60	37	158.6	2200	230	250	404.71	110	236.35	375	400	300	155	60	50
CACV 300 30	300	30	65.1	37	157.1	2200	230	250	408.22	85	228.11	375	400	300	155	60	50
CACV 300 35	300	35	70.8	37	158.5	2200	230	250	404.52	70	215.83	375	400	300	155	60	50
CACV 300 40	300	40	77.1	37	159.4	2200	230	250	400.46	55	207.7	375	400	300	155	60	50
CACV 300 45	300	45	84.5	37	159	2200	230	250	394.84	40	195.76	375	400	300	155	60	50
CACV 300 50	300	50	93.3	37	157.7	2200	230	250	393.35	17	178.96	375	410	300	155	60	50
CACV 300 55	300	55	104.6	37	162.3	2200	230	250	393.35	0	152.25	375	410	300	155	60	55
CACV 300 60	300	60	120	37	166.9	2200	230	250	393.35	-10	125.39	375	410	300	155	60	60
CACV 300 65	300	65	94.6	37	171.7	2200	230	250	387.48	-28	108.51	375	410	300	155	40	65
CACV 300 70	300	70	73.1	37	176.8	2200	230	250	378.65	-45	93.01	375	410	300	155	25	70
CACV 300 75	300	75	96.6	37	182.2	2200	230	250	364.72	-65	78.12	375	410	300	155	25	75
CACV 350 00	350	00	38.6	41	212.4	2800	230	350	395	160	290	375	390	350	155	60	50
CACV 350 05	350	05	42.6	41	214.7	2800	230	350	409.62	155	279.98	375	390	350	155	60	50
CACV 350 10	350	10	46.7	41	207	2800	230	350	414.52	140	270.33	375	390	350	155	60	50
CACV 350 15	350	15	50.9	41	204.5	2800	230	350	408.6	115	261.24	375	390	350	155	60	50
CACV 350 20	350	20	55.3	41	205.3	2800	230	350	422.92	110	252.79	375	410	350	155	60	50
CACV 350 25	350	25	60	41	203.9	2800	230	350	421.53	90	245.04	375	410	350	155	60	50
CACV 350 30	350	30	65.1	41	203.5	2800	230	350	418.5	70	238.06	375	410	350	155	60	50
CACV 350 35	350	35	70.8	41	204.6	2800	230	350	415.89	50	221.88	375	410	350	155	60	50
CACV 350 40	350	40	77.1	41	207.1	2800	230	350	410.78	30	206.57	375	410	350	155	60	50
CACV 350 45	350	45	84.5	41	209.7	2800	230	350	405.25	10	192.16	375	410	350	155	60	50
CACV 350 50	350	50	93.3	41	210.9	2800	230	350	397.37	-10	173.68	375	410	350	155	60	50
CACV 350 55	350	55	87.2	41	208.7	2800	230	350	398.61	-20	160.31	375	410	350	155	50	55
CACV 350 60	350	60	90	41	214.1	2800	230	350	392.76	-35	139.33	375	410	350	155	45	60
CACV 350 65	350	65	94.6	41	218.5	2800	230	350	398.83	-40	119.69	375	410	350	155	40	65
CACV 350 70	350	70	87.7	41	225.5	2800	230	350	394.78	-50	100.47	375	410	350	155	30	70
CACV 350 75	350	75	96.6	41	230.9	2800	230	350	394.55	-55	79.79	375	410	350	155	25	75
CACV 400 00	400	00	38.6	45	224.6	3300	230	350	395	158	287	375	390	400	155	60	50
CACV 400 05	400	05	42.6	45	221.3	3300	230	350	387.15	155	280.81	375	390	400	155	60	50
CACV 400 10	400	10	46.7	45	218.7	3300	230	350	394.13	145	268.14	375	390	400	155	60	50
CACV 400 15	400	15	50.9	45	215.7	3300	230	350	395.82	135	256.99	375	390	400	155	60	50
CACV 400 20	400	20	55.3	45	212.8	3300	230	350	397.08	100	243.41	375	390	400	155	60	50
CACV 400 25	400	25	60	45	214	3300	230	350	404.71	85	236.35	375	400	400	155	60	50
CACV 400 30	400	30	65.1	45	212.7	3300	230	350	408.22	65	228.11	375	400	400	155	60	50
CACV 400 35	400	35	70.8	45	215	3300	230	350	404.52	50	215.83	375	400	400	155	60	50
CACV 400 40	400	40	77.1	45	216.2	3300	230	350	400.46	40	207.7	375	400	400	155	60	50
CACV 400 45	400	45	84.5	45	217.3	3300	230	350	394.84	20	195.76	375	400	400	155	60	50
CACV 400 50	400	50	93.3	45	216.6	3300	230	350	393.35	2	178.96	375	410	400	155	60	50
CACV 400 55	400	55	104.6	45	224	3300	230	350	392.76	-13	153.17	375	410	400	155	60	55
CACV 400 60	400	60	120	45	232.2	3300	230	350	393.35	-30	125.39	375	410	400	155	60	60
CACV 400 65	400	65	94.6	45	239.3	3300	230	350	387.48	-48	108.51	375	410	400	155	40	65
CACV 400 70	400	70	73.1	45	247.6	3300	230	350	378.65	-65	93.01	375	410	400	155	25	70
CACV 400 75	400	75	96.6	45	252.9	3300	230	350	364.72	-85	78.12	375	410	400	155	25	75