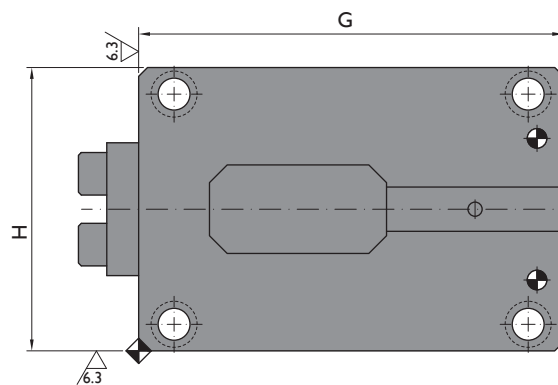
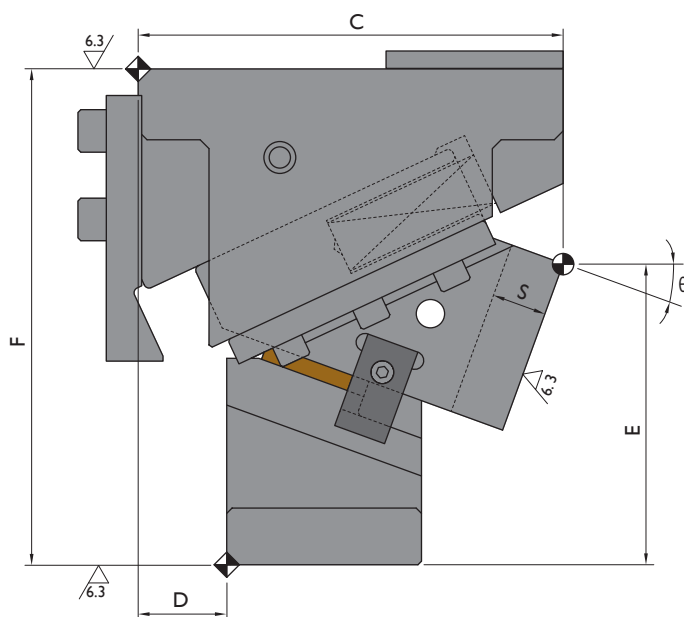
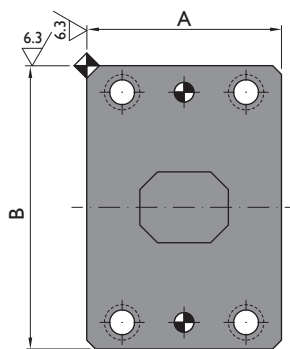
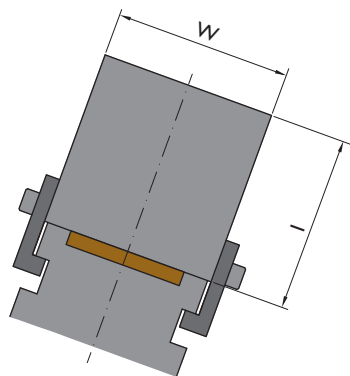
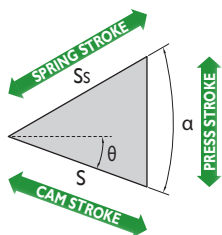


WEB
↓
CAD



CAM DIAGRAM



Available Options

P



Pin holes diameters available for both holder and driver

		Standards	Options			
CACU	65	Ø9	P10 (Ø10 H7)	P12 (Ø12 H7)	P13 (Ø13 H7)	-
CACU	100	Ø11	-	P12 (Ø12 H7)	P13 (Ø13 H7)	-
CACU	200	Ø11	-	P12 (Ø12 H7)	P13 (Ø13 H7)	P16 (Ø16 H7)

Ordering example: CACU-W-θ-P
CACU-65-10
CACU-65-10-P10

(Standard dimensions)

(Ø10 H7 pin holes)

Order No.			Main Features					General Dimensions										
Model	W mm	θ °	S mm	Working Force tnf		Weight kg	Spring Force kgf	A mm	B mm	C mm	D mm	E mm	F mm	G mm	H mm	I mm	S _s mm	α °
				1,000,000 strokes	300,000 strokes													
CACU 65 00	65	00	26.9	2	4	19.5	109	80	115	185.94	75	153.43	210	180	115	80	38	45
CACU 65 05	65	05	27	2	4	19.8	116	80	115	193.01	70	153.43	210	180	115	90	38	50
CACU 65 10	65	10	31.6	2	4	19.3	116	80	115	196.8	70	142.42	210	180	115	80	38	45
CACU 65 15	65	15	32.2	2	4	19.6	116	80	115	203.77	67	141.19	210	180	115	90	38	50
CACU 65 20	65	20	33.8	2	4	18.1	116	80	115	198.1	60	135.69	210	180	115	80	35	45
CACU 65 25	65	25	35	2	4	18.4	116	80	115	204.75	55	133.27	210	180	115	90	35	50
CACU 65 30	65	30	33.5	2	5	17.7	116	80	115	193.63	50	120.48	210	180	115	80	30	45
CACU 65 35	65	35	35.4	2	5	18	116	80	115	199.76	45	116.94	210	180	115	90	30	50
CACU 65 40	65	40	42.9	2	5	16.9	116	80	115	188.72	40	110.38	210	180	115	80	33	45
CACU 65 45	65	45	46.5	2	5	17.1	116	80	115	194.13	34	105.84	210	180	115	90	33	50
CACU 65 50	65	50	54.5	3	6	16.8	116	80	115	190	30	100	210	180	115	90	35	50
CACU 65 55	65	55	43.6	3	6	17.8	106	80	115	190	20	95	210	180	115	100	25	55
CACU 65 60	65	60	50	3	6	17.3	106	80	115	190	20	95	210	180	115	100	25	60
CACU 65 65	65	65	47.3	3	6	18.5	91	80	115	190	0	80	210	180	115	110	20	65
CACU 65 70	65	70	58.5	3	6	18.4	91	80	115	190	0	80	210	180	115	110	20	70
CACU 100 00	100	00	28.3	4	9	47	574	110	160	240	60	195	280	240	160	100	40	45
CACU 100 05	100	05	28.4	4	9	47.8	627	110	160	236.89	60	206.18	280	240	160	140	40	50
CACU 100 10	100	10	33.3	4	9	44.9	627	110	160	240	60	190	280	240	160	100	40	45
CACU 100 15	100	15	33.9	4	9	47.1	627	110	160	254.35	60	198.49	280	240	160	140	40	50
CACU 100 20	100	20	30.9	4	9	44.8	608	110	160	240	50	170	280	240	160	100	32	45
CACU 100 25	100	25	32	4	9	46.5	608	110	160	253.26	50	177.4	280	240	160	140	32	50
CACU 100 30	100	30	33.5	4	9	44.1	608	110	160	240	30	170	280	240	160	120	30	45
CACU 100 35	100	35	35.4	4	9	45.4	572	110	160	252.34	30	170.31	280	240	160	140	30	50
CACU 100 40	100	40	39	4	9	45.4	572	110	160	240	30	165	280	240	160	120	30	45
CACU 100 45	100	45	42.3	4	9	41.7	572	110	160	247.41	30	165.32	280	240	160	140	30	50
CACU 100 50	100	50	46.7	5	10	41.2	572	110	160	240	10	160	280	240	160	140	30	50
CACU 100 55	100	55	52.3	5	10	44	572	110	160	240	0	135	280	240	160	140	30	55
CACU 100 60	100	60	60	5	10	42.5	572	110	160	240	0	135	280	240	160	140	30	60
CACU 100 65	100	65	47.3	5	10	43	559	110	160	240	0	135	280	240	160	140	20	65
CACU 100 70	100	70	58.5	5	10	41.8	559	110	160	240	0	135	280	240	160	140	20	70
CACU 200 00	200	00	28.3	10	20	81.5	2297	110	260	240	60	190	280	240	260	100	40	45
CACU 200 05	200	05	28.4	10	20	82.3	2506	110	260	263.82	60	201.16	280	240	260	130	40	50
CACU 200 10	200	10	33.3	10	20	75.7	2506	110	260	240	60	190	280	240	260	100	40	45
CACU 200 15	200	15	33.9	10	20	80.5	2506	110	260	254.35	60	198.49	280	240	260	130	40	50
CACU 200 20	200	20	30.9	10	20	76.1	2432	110	260	240	50	170	280	240	260	100	32	45
CACU 200 25	200	25	32	10	20	80.1	2432	110	260	253.27	50	177.4	280	240	260	130	32	50
CACU 200 30	200	30	33.5	10	20	77	2289	110	260	240	30	170	280	240	260	120	30	45
CACU 200 35	200	35	35.4	10	20	80.9	2289	110	260	252.34	30	170.31	280	240	260	140	30	50
CACU 200 40	200	40	39	10	20	71.4	2289	110	260	240	30	165	280	240	260	120	30	45
CACU 200 45	200	45	42.3	10	20	74.7	2289	110	260	247.41	30	165.32	280	240	260	140	30	50
CACU 200 50	200	50	46.7	12	24	71.6	2289	110	260	240	10	160	280	240	260	140	30	50
CACU 200 55	200	55	52.3	12	24	78.6	2289	110	260	240	0	135	280	240	260	140	30	55
CACU 200 60	200	60	60	12	24	73.9	2289	110	260	240	0	135	280	240	260	140	30	60
CACU 200 65	200	65	47.3	12	24	77.2	2236	110	260	240	0	135	280	240	260	140	20	65
CACU 200 70	200	70	58.5	12	24	72.2	2236	110	260	240	0	135	280	240	260	140	20	70