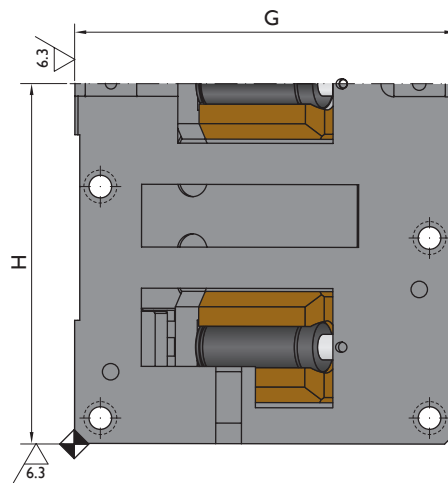
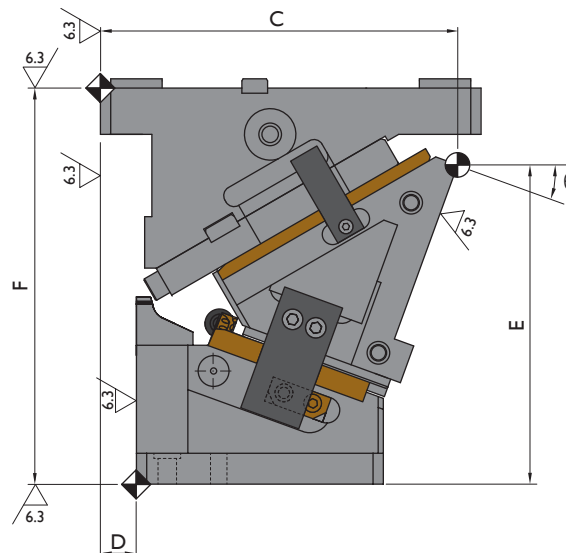
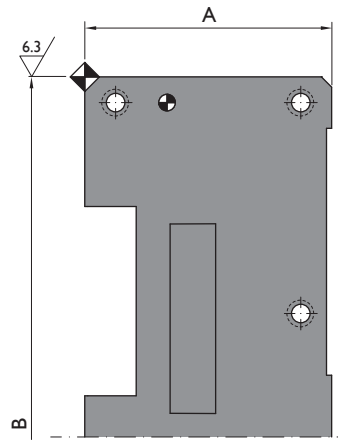
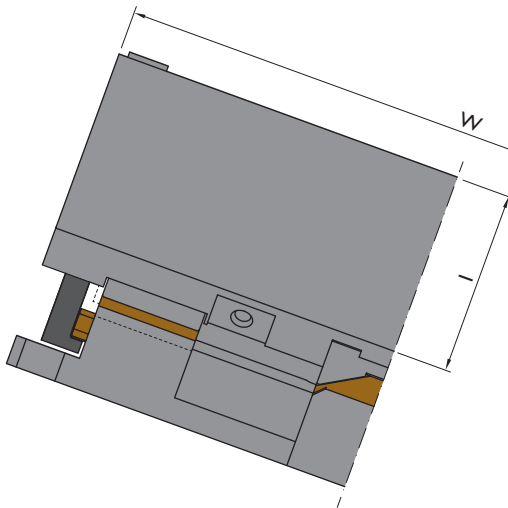
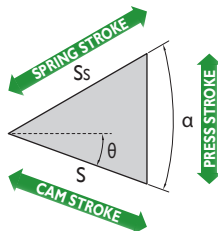


WEB

 CAD



CAM DIAGRAM



Ordering example: CACL-W- θ
 CACL-500-05

Order No.			Main Features				General Dimensions										
Model	W mm	θ °	S mm	Working Force tnf 300.000 strokes	Weight kg	Spring Force kgf	A mm	B mm	C mm	D mm	E mm	F mm	G mm	H mm	I mm	Ss mm	α °
CACL	500	00	38.6	32	265.6	2200	240	500	323	95	328	385	370	500	180	60	50
CACL	500	05	42.6	32	262.4	2200	240	500	329.58	80	326.36	385	370	500	180	60	50
CACL	500	10	46.7	32	261	2200	240	500	335.94	65	322.84	385	370	500	180	60	50
CACL	500	15	50.9	32	260.2	2200	240	500	341.91	50	317.48	385	370	500	180	60	50
CACL	500	20	55.3	32	260.7	2200	240	500	347.34	35	310.31	385	370	500	180	60	50
CACL	500	25	60	32	260.8	2200	240	500	347.06	15	301.38	385	370	500	180	60	50
CACL	500	30	65.1	32	264.4	2200	240	500	350.93	0	280.77	385	370	500	180	60	50
CACL	500	35	70.8	32	269.9	2200	240	500	353.8	-15	268.56	385	370	500	180	60	50
CACL	500	40	77.1	32	274.5	2200	240	500	355.54	-30	254.84	385	370	500	180	60	50
CACL	500	45	84.5	32	281.6	2200	240	500	361.02	-40	239.71	385	370	500	180	60	50
CACL	500	50	93.3	32	282	2200	240	500	355.12	-60	223.28	385	370	500	180	60	50
CACL	500	55	104.6	32	291.5	2200	240	500	367.74	-60	205.69	385	370	500	180	60	55
CACL	500	60	120	32	300.1	2200	240	500	378.77	-60	187.07	385	370	500	180	60	60
CACL	600	00	38.6	32	272.4	2200	240	500	323	95	328	385	370	500	180	60	50
CACL	600	05	42.6	32	269.2	2200	240	500	329.58	80	326.36	385	370	500	180	60	50
CACL	600	10	46.7	32	267.9	2200	240	500	335.94	65	322.84	385	370	500	180	60	50
CACL	600	15	50.9	32	267.1	2200	240	500	341.91	50	317.48	385	370	500	180	60	50
CACL	600	20	55.3	32	267.6	2200	240	500	347.34	35	310.31	385	370	500	180	60	50
CACL	600	25	60	32	267.7	2200	240	500	347.06	15	301.38	385	370	500	180	60	50
CACL	600	30	65.1	32	271.3	2200	240	500	350.93	0	280.77	385	370	500	180	60	50
CACL	600	35	70.8	32	276.7	2200	240	500	353.8	-15	268.56	385	370	500	180	60	50
CACL	600	40	77.1	32	281.3	2200	240	500	355.54	-30	254.84	385	370	500	180	60	50
CACL	600	45	84.5	32	288.5	2200	240	500	361.02	-40	239.71	385	370	500	180	60	50
CACL	600	50	93.3	32	288.9	2200	240	500	355.12	-60	223.28	385	370	500	180	60	50
CACL	600	55	104.6	32	299.2	2200	240	500	367.74	-60	205.69	385	370	500	180	60	55
CACL	600	60	120	32	308.7	2200	240	500	378.77	-60	187.07	385	370	500	180	60	60
CACL	700	00	38.6	48	362.6	3300	240	700	323	95	328	385	370	700	180	60	50
CACL	700	05	42.6	48	358.9	3300	240	700	329.58	80	326.36	385	370	700	180	60	50
CACL	700	10	46.7	48	357.2	3300	240	700	335.94	65	322.84	385	370	700	180	60	50
CACL	700	15	50.9	48	357	3300	240	700	341.91	50	317.48	385	370	700	180	60	50
CACL	700	20	55.3	48	356.1	3300	240	700	347.34	35	310.31	385	370	700	180	60	50
CACL	700	25	60	48	357.3	3300	240	700	347.06	15	301.38	385	370	700	180	60	50
CACL	700	30	65.1	48	362.7	3300	240	700	350.93	0	280.77	385	370	700	180	60	50
CACL	700	35	70.8	48	370.6	3300	240	700	353.8	-15	268.56	385	370	700	180	60	50
CACL	700	40	77.1	48	377	3300	240	700	355.54	-30	254.84	385	370	700	180	60	50
CACL	700	45	84.5	48	383.6	3300	240	700	361.02	-40	239.71	385	370	700	180	60	50
CACL	700	50	93.3	48	386.5	3300	240	700	355.12	-60	223.28	385	370	700	180	60	50
CACL	700	55	104.6	48	400.8	3300	240	700	367.74	-60	205.69	385	370	700	180	60	55
CACL	700	60	120	48	412.7	3300	240	700	378.77	-60	187.07	385	370	700	180	60	60

Order No.			Main Features				General Dimensions										
Model	W mm	θ °	S mm	Working Force tnf 300.000 strokes	Weight kg	Spring Force kgf	A mm	B mm	C mm	D mm	E mm	F mm	G mm	H mm	I mm	Ss mm	α °
CACL	800	00	38.6	48	369.4	3300	240	700	323	95	328	385	370	700	180	60	50
CACL	800	05	42.6	48	365.7	3300	240	700	329.58	80	326.36	385	370	700	180	60	50
CACL	800	10	46.7	48	364	3300	240	700	335.94	65	322.84	385	370	700	180	60	50
CACL	800	15	50.9	48	363.8	3300	240	700	341.91	50	317.48	385	370	700	180	60	50
CACL	800	20	55.3	48	363	3300	240	700	347.34	35	310.31	385	370	700	180	60	50
CACL	800	25	60	48	364.2	3300	240	700	347.06	15	301.38	385	370	700	180	60	50
CACL	800	30	65.1	48	369.5	3300	240	700	350.93	0	280.77	385	370	700	180	60	50
CACL	800	35	70.8	48	377.4	3300	240	700	353.8	-15	268.56	385	370	700	180	60	50
CACL	800	40	77.1	48	383.8	3300	240	700	355.54	-30	254.84	385	370	700	180	60	50
CACL	800	45	84.5	48	390.4	3300	240	700	361.02	-40	239.71	385	370	700	180	60	50
CACL	800	50	93.3	48	393.4	3300	240	700	355.12	-60	223.28	385	370	700	180	60	50
CACL	800	55	104.6	48	408.3	3300	240	700	367.74	-60	205.69	385	370	700	180	60	55
CACL	800	60	120	48	421.2	3300	240	700	378.77	-60	187.07	385	370	700	180	60	60
CACL	900	00	38.6	64	463.3	4400	240	900	323	95	328	385	370	900	180	60	50
CACL	900	05	42.6	64	459.2	4400	240	900	329.58	80	326.36	385	370	900	180	60	50
CACL	900	10	46.7	64	457.7	4400	240	900	335.94	65	322.84	385	370	900	180	60	50
CACL	900	15	50.9	64	457.8	4400	240	900	341.91	50	317.48	385	370	900	180	60	50
CACL	900	20	55.3	64	459.7	4400	240	900	347.34	35	310.31	385	370	900	180	60	50
CACL	900	25	60	64	461.5	4400	240	900	347.06	15	301.38	385	370	900	180	60	50
CACL	900	30	65.1	64	467.8	4400	240	900	350.93	0	280.77	385	370	900	180	60	50
CACL	900	35	70.8	64	478.9	4400	240	900	353.8	-15	268.56	385	370	900	180	60	50
CACL	900	40	77.1	64	487.3	4400	240	900	355.54	-30	254.84	385	370	900	180	60	50
CACL	900	45	84.5	64	499.4	4400	240	900	361.02	-40	239.71	385	370	900	180	60	50
CACL	900	50	93.3	64	498.4	4400	240	900	355.12	-60	223.28	385	370	900	180	60	50
CACL	900	55	104.6	64	519.2	4400	240	900	367.74	-60	205.69	385	370	900	180	60	55
CACL	900	60	120	64	535.2	4400	240	900	378.77	-60	187.07	385	370	900	180	60	60
CACL	1000	00	38.6	64	470.2	4400	240	900	323	95	328	385	370	900	180	60	50
CACL	1000	05	42.6	64	466.1	4400	240	900	329.58	80	326.36	385	370	900	180	60	50
CACL	1000	10	46.7	64	464.6	4400	240	900	335.94	65	322.84	385	370	900	180	60	50
CACL	1000	15	50.9	64	464.7	4400	240	900	341.91	50	317.48	385	370	900	180	60	50
CACL	1000	20	55.3	64	466.5	4400	240	900	347.34	35	310.31	385	370	900	180	60	50
CACL	1000	25	60	64	468.4	4400	240	900	347.06	15	301.38	385	370	900	180	60	50
CACL	1000	30	65.1	64	474.7	4400	240	900	350.93	0	280.77	385	370	900	180	60	50
CACL	1000	35	70.8	64	485.8	4400	240	900	353.8	-15	268.56	385	370	900	180	60	50
CACL	1000	40	77.1	64	494.2	4400	240	900	355.54	-30	254.84	385	370	900	180	60	50
CACL	1000	45	84.5	64	506.3	4400	240	900	361.02	-40	239.71	385	370	900	180	60	50
CACL	1000	50	93.3	64	505.3	4400	240	900	355.12	-60	223.28	385	370	900	180	60	50
CACL	1000	55	104.6	64	526.9	4400	240	900	367.74	-60	205.69	385	370	900	180	60	55
CACL	1000	60	120	64	543.1	4400	240	900	378.77	-60	187.07	385	370	900	180	60	60