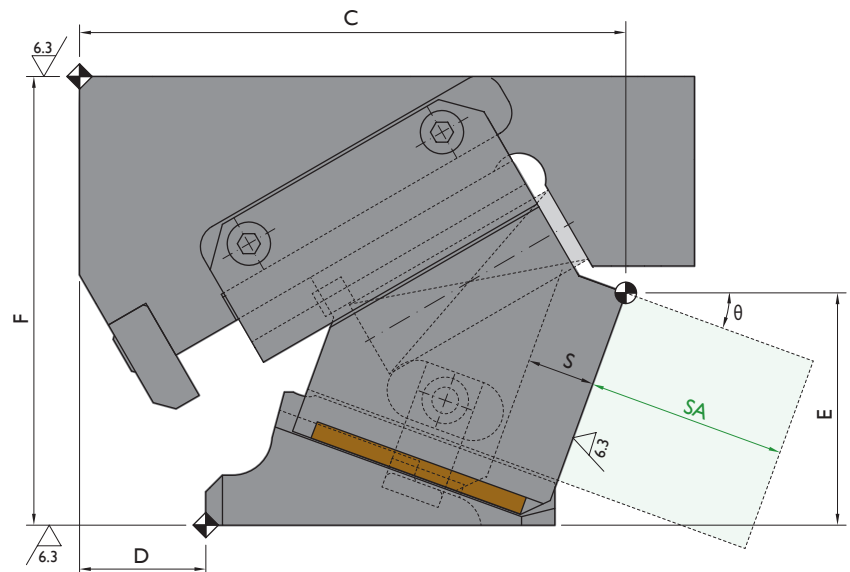
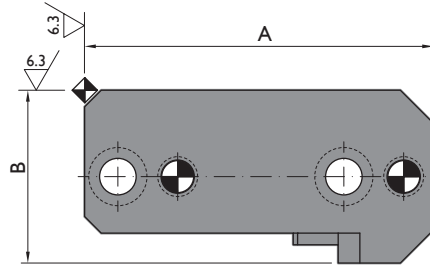
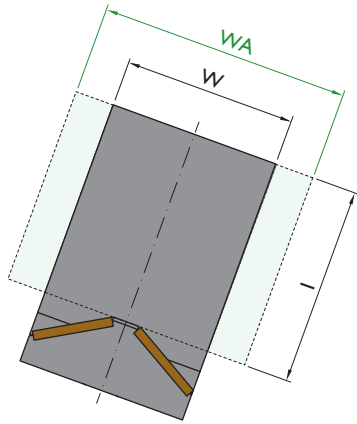
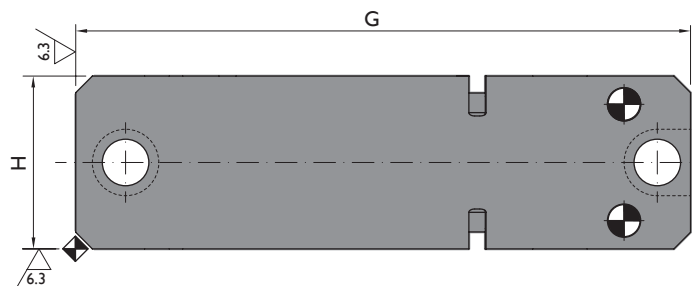
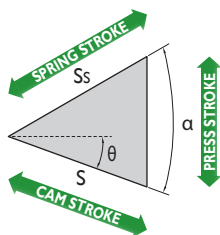


WEB
↓
CAD



CAM DIAGRAM



Available Options

SA		WA	
	Additional slider length available l - 60 mm (1 mm steps)		Additional mounting width available
CACD 52	SA1 - SA2 - ... - SA60		WA65

Ordering example: CACD-W-θ-SA-WA

CACD-52-05

(Standard dimensions)

CACD-80-05-SA59-WA65

(Additional slider length (59 mm) and additional mounting width (65mm))



Order No.			Main Features					General Dimensions										
Model	W mm	θ °	S mm	Working Force tnf		Weight kg	Spring Force kgf	A mm	B mm	C mm	D mm	E mm	F mm	G mm	H mm	I mm	Ss mm	α °
				1,000,000 strokes	300,000 strokes													
CACD 52 00	52	00	30.2	1	3	6.4	92	105	52	161	56	82	135	185	52	60	47	50
CACD 52 05	52	05	31.9	1	3	6.1	92	105	52	162.1	51	79.79	135	185	52	60	45	50
CACD 52 10	52	10	35	1	3	6	92	105	52	162.55	46	77.17	135	185	52	60	45	50
CACD 52 15	52	15	38.2	1	3	5.8	92	105	52	164.32	43	74.18	135	185	52	60	45	50
CACD 52 20	52	20	41.5	1	3	5.7	92	105	52	164.38	38	69.9	135	185	52	60	45	50
CACD 52 25	52	25	45	1	3	5.5	92	105	52	162.71	28	66.38	135	185	52	60	45	50
CACD 52 30	52	30	48.8	1	3	5.5	92	105	52	160.28	24	61.69	135	185	52	60	45	50
CACD 52 35	52	35	53.1	1	3	5.4	92	105	52	158.09	16	57.9	135	185	52	60	45	50
CACD 52 40	52	40	57.9	1	3	5.5	92	105	52	153.14	8	53.07	135	185	52	60	45	50
CACD 52 45	52	45	54.9	1	3	5.3	92	105	52	139.41	-10	49.27	135	175	52	60	39	50
CACD 52 50	52	50	60.7	1	3	5.4	92	105	52	135.92	-17	45.57	135	175	52	60	39	50