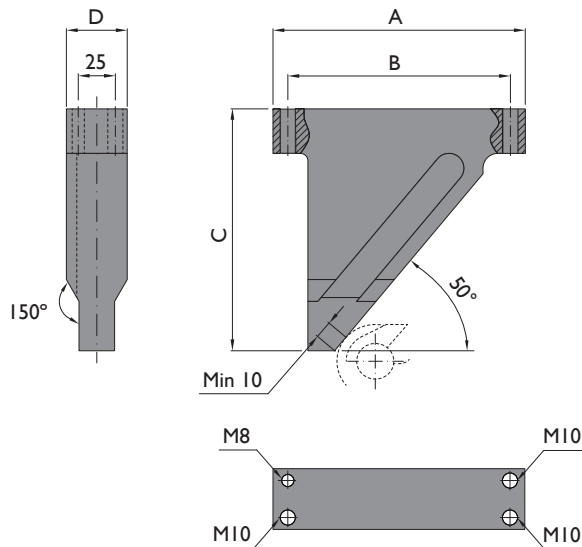
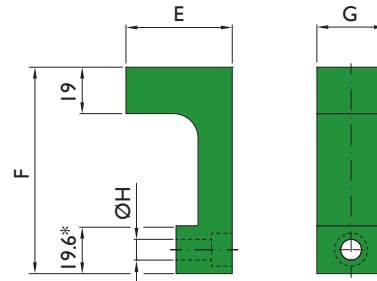


DRIVER



PULLER CLAW



* For CRCS-02000-22 and CRCS-02000-35 12.1mm

Note: Driver for installation angle 0°. For any other installation angle contact with NITROGAS engineering.

CRCN

ROLLER CAM	DRIVER Order No.	PULLER CLAW Order No.	A mm	B mm	C mm	D mm	E mm	F mm	G mm	H mm
CRCN-03000-50	CRCN-03000-51	CRCN-03000-C1	170	150	163	41	33	79.1	23	8.5
CRCN-03000-80	CRCN-03000-52	CRCN-03000-C2	200	180	199	41	33	79.1	23	8.5
CRCN-05000-50	CRCN-05000-51	CRCN-05000-C1	170	150	163	45	44	84.5	28	8.5
CRCN-05000-80	CRCN-05000-52	CRCN-05000-C2	200	180	199	45	44	84.5	28	8.5
CRCN-05000-100	CRCN-05000-53	CRCN-05000-C3	220	200	223	45	44	84.5	28	8.5
CRCN-15000-50	CRCN-15000-51	CRCN-15000-C1	170	150	163	51	66	89.5	30	10.5
CRCN-15000-80	CRCN-15000-52	CRCN-15000-C2	200	180	199	51	66	89.5	30	10.5
CRCN-15000-100	CRCN-15000-53	CRCN-15000-C3	220	200	223	51	66	89.5	30	10.5

CRCS

CRCS-02000-22	CRCS-02000-51	CRCS-02000-C1	105	87	98	32	25.5	61.4	15	6.5
CRCS-02000-35	CRCS-02000-52	CRCS-02000-C2	115	97	109	32	25.5	61.4	15	6.5
CRCS-03000-50	CRCS-03000-51	CRCS-03000-C1	170	150	163	41	35.5	80.3	23	8.5
CRCS-03000-80	CRCS-03000-52	CRCS-03000-C2	200	180	199	41	35.5	80.3	23	8.5
CRCS-03000-100	CRCS-03000-53	CRCS-03000-C3	220	200	223	41	35.5	80.3	23	8.5
CRCS-05000-50	CRCS-05000-51	CRCS-05000-C1	170	150	163	45	43	84.4	28	8.5
CRCS-05000-80	CRCS-05000-52	CRCS-05000-C2	200	180	199	45	43	84.4	28	8.5
CRCS-05000-100	CRCS-05000-53*	CRCS-05000-C3	-	-	-	-	43	84.4	28	8.5
CRCS-15000-50	CRCS-15000-51	CRCS-15000-C1	170	150	163	51	64.5	86.8	30	10.5
CRCS-15000-80	CRCS-15000-52	CRCS-15000-C2	200	180	199	51	64.5	86.8	30	10.5
CRCS-15000-100	CRCS-15000-53	CRCS-15000-C3	220	200	223	51	64.5	86.8	30	10.5
CRCS-20000-50	CRCS-20000-51	CRCS-20000-C1	170	150	163	65	98.1	96	35	10.5
CRCS-20000-80	CRCS-20000-52	CRCS-20000-C2	200	180	199	65	98.1	96	35	10.5
CRCS-20000-100	CRCS-20000-53	CRCS-20000-C3	220	200	223	65	98.1	96	35	10.5

* CRCS-05000-53 special driver. For CRCS-05000-100 cam accessories contact with NITROGAS engineering.

Driver ordering example: CRCN-03000-51

Puller Claw ordering example: CRCN-03000-C1